



see what Delta can do™

112970



X00112970

# STEAM HEAD INSTALLATION INSTALACIÓN DEL CABEZAL DE VAPOR INSTALLATION DE LA TÊTE DE VAPEUR

Model Number: \_\_\_\_\_  
Número del modelo  
Numéro de modèle

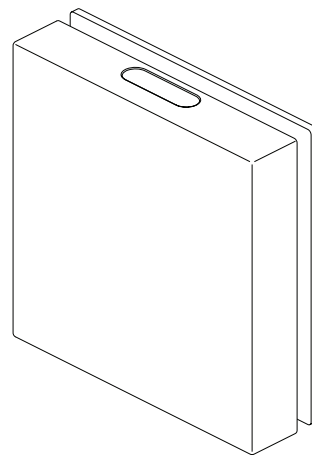
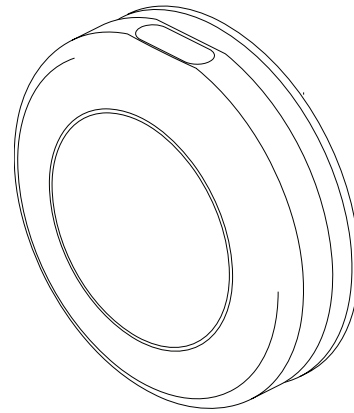
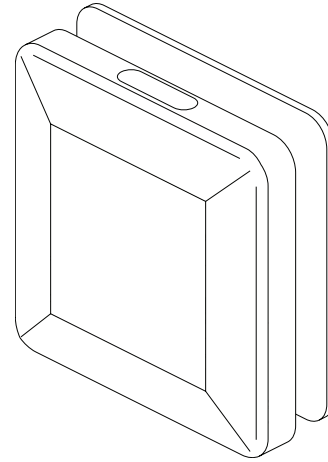
Date of Purchase: \_\_\_\_\_  
Fecha de compra  
Date d'achat

Register Online  
Regístrese en línea  
S'enregistrer en ligne  
[www.deltafaucet.com/service-parts/product-registration](http://www.deltafaucet.com/service-parts/product-registration)

To reference replacement parts and access additional technical documents and product info, visit [www.deltafaucet.com/service-parts](http://www.deltafaucet.com/service-parts)

Para referencia sobre las piezas de repuesto y acceder a documentos técnicos adicionales e información del producto, visite [www.deltafaucet.com/service-parts](http://www.deltafaucet.com/service-parts)

Pour obtenir la référence des pièces de rechange ainsi que pour avoir accès à d'autres documents techniques et renseignements sur le produit, allez à [www.deltafaucet.com/service-parts](http://www.deltafaucet.com/service-parts)



1-800-394-6478  
[www.deltafaucet.com/service-parts/contact-us/](http://www.deltafaucet.com/service-parts/contact-us/)

Read all instructions prior to installation.

### ⚠ CAUTION

Failure to read these instructions prior to installation may result in personal injury, property damage, or product failure. Manufacturer assumes no responsibility for product failure due to improper installation.

Lea todas las instrucciones antes de hacer la instalación.

### ⚠ ADVERTENCIA

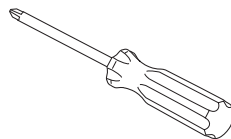
El no leer estas instrucciones de instalación puede resultar en lesiones personales, daños a la propiedad, o falla en el funcionamiento del producto. El fabricante no asume ninguna responsabilidad por la falla del producto debido a una instalación incorrecta.

Veuillez lire toutes les instructions avant l'installation.

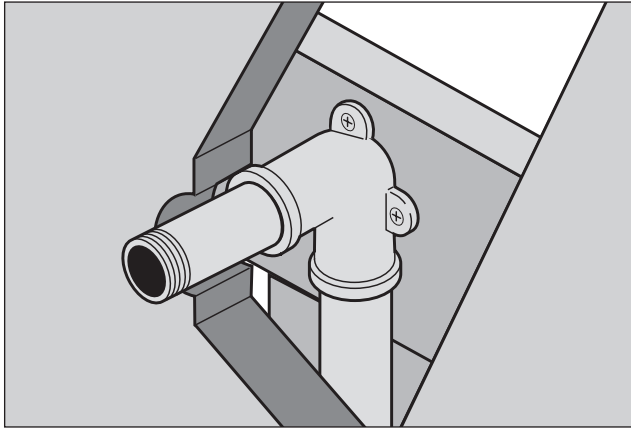
### ⚠ AVERTISSEMENT

L'omission de lire les présentes instructions avant l'installation peut entraîner des blessures, des dommages matériels ou le bris du produit. Le fabricant se dégage de toute responsabilité à l'égard d'un bris du produit causé par une mauvaise installation.

You may need:  
Usted puede necesitar:  
Articles dont vous pouvez avoir besoin :



# 1 Rough In Steam Line (not supplied) Línea de vapor dentro de las paredes (no incluida) Tuyauterie de vapeur (non fournie)



Prior to steam head installation, Install rough plumbing line to desired location. The steam head must be installed to a 3/4" NPT copper or brass pipe; do NOT use black iron or galvanized pipe, it will rust and discolor the steam bath wall. Do NOT use plastic supply pipes or fittings.

**NOTE:** Supply elbow and steam supply pipe MUST BE SECURELY ANCHORED to ridged blocking.

The steam head location should be 12" to 18" above the shower floor or 6" above the rim of the bathtub, as far from the seating area as possible.

Antes de la instalación del cabezal de vapor, instale la línea de plomería en bruto en la ubicación deseada. El cabezal de vapor debe estar instalado en un 3/4" NPT; NO use hierro negro o tubería galvanizada, se oxidará y decolorará la pared del baño de vapor. NO use tuberías o accesorios de suministro plásticos.

**NOTA:** El codo de suministro y la tubería de suministro de vapor DEBEN ESTAR FIRMEAMENTE ANCLADOS al bloque estriado.

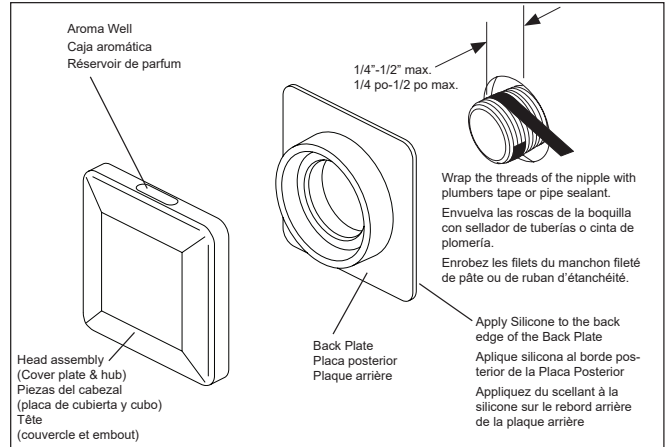
La ubicación del cabezal de vapor debe estar entre 12" y 18" por encima del piso de la regadera o 6" por encima del borde de la bañera, lo más lejos posible del área para sentarse.

Avant l'installation de la tête de vapeur, installez une ligne de plomberie rugueuse à l'endroit souhaité. La tête de vapeur doit être installée sur un 3/4 po NPT. N'UTILISEZ PAS un tuyau de fer ni un tuyau galvanisé. La rouille qui se formera dans ce tuyau tachera le mur du bain de vapeur. N'UTILISEZ PAS des tuyaux d'alimentation et des raccords en plastique.

**NOTE :** Le coude et le tuyau d'alimentation en vapeur DOIVENT ÊTRE FIXÉS SOLIDEMENT à l'entretoise.

La tête de vapeur doit se situer à une hauteur de 12 po à 18 po au-dessus du plancher de la douche ou à 6 po au-dessus du rebord de la baignoire et aussi loin de la place assise de l'utilisateur que possible.

# 2 Steam Head Installation Instalación del cabezal de vapor Installation de la tête de vapeur



1. Make sure the 3/4" nipple protrudes beyond the tile 1/4" to 1/2" (6-12 mm).
2. Keep opening in finished wall close as possible to pipe nipple with no more than 1/2" gap.

**IMPORTANT:** If the nipple protrudes beyond 1/2" the O-ring will not make a proper seal and the nipple will have to be adjusted.

3. Wrap the threads of the nipple with plumber's tape or use pipe sealant.
4. Make sure the steam head will line up in the upright position when tightened. The steam head should only be firmly hand tight. Using a wrench on the head may damage it. Screw the steam head on to the nipple and see how it lines up. Once a proper alignment is made remove the steam head.

1. Asegúrese de que la enterrosca de 3/4" sobresalga más allá de la baldosa de 1/4" a 1/2" (6-12 mm).
2. Mantenga la abertura en la pared acabada lo más cerca posible a la enterrosca de la tubería sin no más de 1/2" espacio.

**IMPORTANTE:** Si la enterrosca sobresale más de 1/2", la junta tórica no sellará correctamente y será necesario ajustar la enterrosca

3. Envuelva las roscas de la enterrosca con cinta de plomero o use sellador de tuberías.
4. Asegúrese de que el cabezal de vapor se alinee en posición vertical cuando esté apretado. El cabezal de vapor solo debe apretarse firmemente a mano. Usar una llave en el cabezal puede dañarlo. Enrosque el cabezal de vapor en la enterrosca y fíjese cómo se alinea. Una vez que se haya realizado una alineación adecuada, retire el cabezal de vapor.

1. Assurez-vous que le manchon fileté de 3/4 po présente une saillie de 1/4 po à 1/2 po (6-12 mm) par rapport aux carreaux.
2. Assurez-vous que l'écart entre le mur fini et le manchon fileté ne dépasse pas 1/2 po.

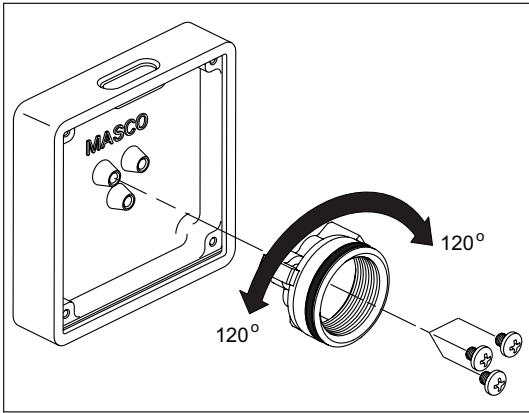
**IMPORTANT :** Si la saillie du manchon fileté est supérieure à 1/2 po, le joint torique n'assurera pas l'étanchéité et le manchon devra être ajusté.

3. Enrobez les filets du manchon fileté de ruban ou de pâte d'étanchéité.
4. Prenez soin d'orienter la tête de vapeur vers le haut en la serrant. La tête de vapeur doit être serrée fermement, à la main seulement. L'utilisation d'une clé pourrait l'endommager. Vissez la tête de vapeur sur le manchon et vérifiez son positionnement. Une fois qu'elle est bien positionnée, retirez-la.

**NOTE:** The steam head has been designed with a 360 degree dispersion of steam to improve steam circulation and to minimize the hotspots created with the traditional steam heads. For maximum comfort the steam head should always be located as far from the seating area as possible. Should the location of the steam head necessitate blocking the steam from a particular direction to improve bather comfort, the supplied deflector plate can be added to any of the three sides shown to help divert the steam away from the bather. The deflector is attached to the back side of the head before installation with 2 stainless steel screws provided. (See Option Installation, Deflector section on next page).

**NOTA:** El cabezal de vapor se ha diseñado con una dispersión de vapor de 360 grados para mejorar la circulación del vapor y minimizar los puntos calientes creados con los cabezales de vapor tradicionales. Para una máxima comodidad, el cabezal de vapor siempre debe ubicarse lo más lejos posible del área de asientos. Si la ubicación del cabezal de vapor requiere bloquear el vapor desde una dirección particular para mejorar la comodidad del bañista, puede agregar la placa deflectora suministrada a cualquiera de los tres lados que se muestran para ayudar a desviar el vapor lejos del bañista. El deflector se fija a la parte trasera del cabezal antes de la instalación con los 2 tornillos de acero inoxidable incluidos. (Consulte la sección Instalación de opciones, Deflector en la página siguiente).

**NOTE :** La tête de vapeur a été conçue pour disperser la vapeur sur 360 degrés afin d'améliorer la circulation et de limiter les points chauds créés par les têtes de vapeur classiques. Pour que le confort soit optimal, la tête de vapeur doit se trouver aussi loin que possible de la place assise. Si, en raison de l'emplacement de la tête de vapeur, une sortie de vapeur doit être bloquée pour éviter que la vapeur soit dirigée directement vers l'utilisateur, le déflecteur fourni peut être ajouté sur n'importe quel des trois côtés. Il suffit de le fixer à la face arrière de la tête avant l'installation avec les deux vis en acier inoxydable fournies. (voir la section Déflecteur à la rubrique Installation facultative sur la page suivante).



**NOTE:** If necessary the head can be repositioned by disassembling the hub from the cover and selecting one of the two alternate positions.

1. Re-apply sealant tape if necessary.
2. Place a bead of silicone around the pipe, sealing the pipe to the wall.
3. Place a bead of silicone around the back outer edge of the back plate.
4. Center and square the back plate over the nipple. While holding the head in place, attach the nipple by hand tightening the screws to the head.
5. Adjust the back plate and head to line up squarely. Remove any excess silicone with rubbing alcohol.

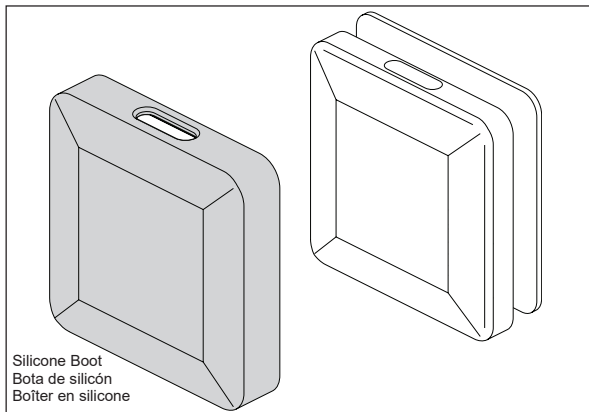
**NOTA:** Si es necesario el cabezal se puede repositionar desmontando el cubo de la cubierta y seleccionando una de las dos posiciones alternas.

1. Si es necesario, vuelva a aplicar cinta selladora.
2. Coloque un cordón de silicona alrededor de la tubería, sellando la tubería a la pared.
3. Coloque una gota de silicona alrededor del borde exterior trasero de la placa trasera.
4. Centre y escuadre la placa trasera sobre la entrosca. Mientras mantiene la cabeza en su lugar, fije el pezón apretando a mano los tornillos a la cabeza.
5. Ajuste la placa trasera y el cabezal para que queden alineados. Retire cualquier exceso de silicona con alcohol isopropílico.

**NOTE:** Au besoin, vous pouvez repositionner la tête en retirant l'embout du couvercle et en sélectionnant une des deux positions de rechange.

1. Réappliquez du ruban d'étanchéité au besoin.
2. Appliquez un cordon de scellant à la silicone autour du tuyau pour assurer l'étanchéité entre celui-ci et le mur.
3. Appliquez un cordon de scellant à la silicone sur le rebord extérieur arrière de la plaque arrière.
4. Centrez la plaque arrière sur le manchon et mettez-la d'équerre. Tout en maintenant la tête en place, fixez le mamelon à la main en serrant les vis à la tête.
5. Ajustez la plaque arrière et la tête pour qu'elles soient d'équerre. Enlevez le surplus de scellant à la silicone avec de l'alcool à friction.

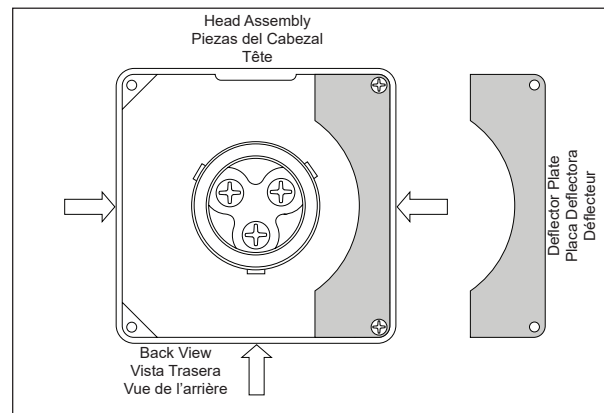
### 3 Optional Installation Instalación opcional Installation facultative



**IMPORTANT:** A silicone boot is provided and should be installed to protect against accidental contact with the hot surface temperature of the steam head, which can reach approximately 212° during operation.

**IMPORTANT:** Se proporciona una bota de silicona y debe instalarse para proteger contra el contacto accidental con la temperatura de la superficie caliente del cabezal de vapor, que puede alcanzar aproximadamente 212° durante la operación.

**IMPORTANT :** Un boîtier en silicone est fournie et doit être installée pour protéger contre tout contact accidentel avec la température de surface chaude de la tête de vapeur, qui peut atteindre environ 212° pendant le fonctionnement.



If needed to improve bather comfort the included optional steam deflector can be installed to block the flow of steam from any of the shown sides of the steam head.

Si es necesario para mejorar la comodidad del bañista, se puede instalar el deflector de vapor opcional que se incluye para bloquear el flujo de vapor desde cualquiera de los lados mostrados del cabezal de vapor.

Au besoin, pour améliorer le confort de l'utilisateur, le déflecteur peut être installé afin d'empêcher la vapeur de jaillir par l'un ou l'autre des côtés de la tête de vapeur montrés sur la figure.

**Limited Warranty on Delta® Steam Bath and Steam Shower Products**  
*Applicable to products purchased and installed in the USA and Canada*

**Residential Steam Bath Generators:** Delta Faucet Company ("DFC") warrants to the original consumer purchaser that the parts (except for electronic parts) of its residential steam bath generator purchased from authorized Delta sellers will be free from defects in materials and workmanship for as long as the original consumer purchaser owns the home in which the steam bath was originally installed. This lifetime limited warranty does not apply to residential steam bath generators that are used in commercial applications (as defined herein).

**Residential Electronic Parts, Controls, Spa Options and Accessories:** DFC warrants to the original consumer purchaser that the electronic parts of its steam bath generator and its controls, spa options and accessories purchased from authorized Delta sellers will be free from defects in materials and workmanship for a period of two (2) years from the date that the product is received by the original consumer purchaser or their authorized representative (installation contractor, etc.). This two-year limited warranty does not apply to controls, spa options, electronic parts and accessories that are used in commercial applications (as defined herein).

**Commercial Warranty:** For the purposes of this warranty the term "commercial application" refers to installation in any setting in which the product is not being used for personal household use, including but not limited to hospitality applications, day spas, short-term and long-term rentals and gyms. DFC warrants that the parts (including electronic parts) of its steam bath generators (including steam bath generators with model numbers beginning with 5COM, which are intended solely for heavy commercial use), equipment, controls, electronic parts, spa options and accessories purchased from authorized Delta sellers and used in a commercial application will be free from defects in materials and workmanship for a period of one (1) year from the date that the product is received by the original purchaser or their authorized representative (installation contractor, etc.).

**What We Will Do:** DFC will, at its option, repair or replace, free of charge, any part that proves defective in material and/or workmanship under normal installation, use and service during the applicable warranty period as stated above. DFC may elect to refund the purchase price. Replacement parts are subject to availability and may differ from those originally supplied.

For residential applications, two (2) years following the date that the product was received by the original consumer purchaser or their authorized representative (installation contractor, etc.), and with prior approval by DFC, DFC will pay for labor for repair/replacement associated with warranty coverage. Thereafter, DFC will not pay for labor associated with removal/repair/replacement of products covered by this warranty.

For commercial applications, DFC will, with prior approval by DFC, pay for labor associated with warranty coverage for ninety (90) days from the date that the product is received by the original purchaser or their authorized representative (installation contractor, etc.). Thereafter, DFC will not pay for labor associated with removal/repair/replacement of products covered by this warranty. **These are the consumer's exclusive remedies.**

**What Is Not Covered:** Because DFC is unable to control the quality of Delta products sold by unauthorized sellers, unless otherwise prohibited by law, this warranty does not cover Delta products purchased from unauthorized sellers.

This warranty does not cover damage caused by improper or negligent installation or use. Provided that DFC is paying the cost of the labor under the terms above, this warranty does not cover repairs attempted by any person other than an authorized DFC agent and shall be limited to the repair or replacement of defective parts by DFC or its authorized agent.

**This warranty is void if any of the following should occur:**

- The use of the product for an unintended application, including the commercial application of a product that is not intended for commercial use.
- Failure to follow instructions, including care, cleaning and usage instructions, provided in the product's owner's manual.
- The product's serial number has been altered or removed.
- The product is modified in any manner which DFC concludes, after its inspection, affects the reliability of the product.
- The product has been improperly repaired by anyone not specifically designated or authorized by DFC.
- The product is damaged because it is not operated or installed in accordance with supplied instructions.
- The product is installed outdoors.
- The product is installed in a moist and/or humid area with unconditioned air or temperatures that exceed 104 degrees Fahrenheit.
- The product is damaged due to freezing.
- The product is damaged by acts of God.

**How to Make a Warranty Claim:** To obtain warranty repair or replacement, contact DFC at: 800-394-6478 or steam-prodserv@deltafaucet.com to receive an RGA# (Return Goods Authorization number) which must be on the carton that is returned via UPS Ground or equivalent. Proof of purchase (original sales receipt showing purchase date) identifying the model and serial number and documentation of the date of receipt of the product by the original purchaser or their authorized representative (installation contractor, etc.) must accompany all warranty claims.

**Limitation on Duration of Implied Warranties:** Please note that some states/provinces (including Quebec) do not allow limitations on how long an implied warranty lasts, so the below limitations may not apply to you. TO THE MAXIMUM EXTENT PERMITTED BY APPLICABLE LAW, ANY IMPLIED WARRANTY, INCLUDING THE IMPLIED WARRANTIES OF MERCHANTABILITY AND OF FITNESS FOR A PARTICULAR PURPOSE, IS LIMITED TO THE STATUTORY PERIOD OR THE DURATION OF THIS WARRANTY, WHICHEVER IS SHORTER.

**Limitation of Special, Incidental or Consequential Damages:** Please note that some states/provinces (including Quebec) do not allow the exclusion or limitation of special, incidental or consequential damages, so the below limitations and exclusions may not apply to you. TO THE MAXIMUM EXTENT PERMITTED BY APPLICABLE LAW, THIS WARRANTY DOES NOT COVER, AND DFC SHALL NOT BE LIABLE FOR, ANY SPECIAL, INCIDENTAL OR CONSEQUENTIAL DAMAGES WHETHER ARISING OUT OF BREACH OF ANY EXPRESS OR IMPLIED WARRANTY, BREACH OF CONTRACT, TORT, OR OTHERWISE.

**Additional Rights:** This warranty gives you specific legal rights, and you may also have other rights which vary from state/province to state/province. This is DFC's exclusive written warranty and the warranty is not transferable.

**Garantía limitada de los productos Delta® Steam Bath y Steam Shower**  
*Aplicable a productos comprados e instalados en EE. UU. y Canadá*

**Generadores de baños de vapor residenciales:** Delta Faucet Company ("DFC") garantiza al comprador consumidor original que las partes (excepto las partes electrónicas) de su generador de baño de vapor residencial comprado a vendedores autorizados de Delta estarán libres de defectos en materiales y de fabricación durante el tiempo que el comprador consumidor original es dueño de la casa en la que se instaló originalmente el baño de vapor. Esta garantía limitada de por vida no se aplica a los generadores de baños de vapor residenciales que se utilizan en aplicaciones comerciales (como se define en este documento).

**Piezas electrónicas residenciales, controles, opciones de spa y accesorios:** DFC garantiza al comprador consumidor original que las partes electrónicas de su generador de baño de vapor y sus controles, opciones de spa y accesorios comprados a vendedores autorizados de Delta estarán libres de defectos en materiales y de fabricación durante un período de dos (2) años a partir de la fecha que el producto es recibido por el comprador consumidor original o su representante autorizado (contratista de instalación, etc.). Esta garantía limitada de dos años no se aplica a los controles, las opciones de spa, las piezas electrónicas y los accesorios que se utilizan en aplicaciones comerciales (como se define en este documento).

**Garantía Comercial:** A los efectos de esta garantía, el término "aplicación comercial" se refiere a la instalación en cualquier entorno en el que el producto no se utilice para uso doméstico personal, incluidas, entre otras, aplicaciones de hospitalidad, spas de día y servicios a corto y largo plazo, alquileres a plazo y gimnasios. DFC garantiza que las piezas (incluidas las piezas electrónicas) de sus generadores de baños de vapor (incluidos los generadores de baños de vapor con números de modelo que comienzan con 5COM, que están destinados únicamente para un uso comercial pesado), los equipos, controles, piezas electrónicas, opciones de spa y accesorios comprados a vendedores autorizados de Delta y utilizados en una aplicación comercial estarán libres de defectos de materiales y mano de obra durante un período de un (1) año a partir de la fecha en que el comprador original o su representante autorizado (contratista de instalación, etc.) recibió el producto.

**Lo que haremos:** DFC, a su elección, reparará o reemplazará, sin cargo, cualquier pieza que presente defectos de material y/o de fabricación en condiciones normales de instalación, uso y servicio durante el período de garantía aplicable como se indicó anteriormente. DFC puede optar por reembolsar el precio de compra. Las piezas de repuesto están sujetas a disponibilidad y pueden ser diferentes a las suministradas originalmente. Para aplicaciones residenciales, dos (2) años a partir de la fecha en que el producto fue recibido por el comprador consumidor original o su representante autorizado (contratista de instalación, etc.), y con la aprobación previa de DFC, DFC pagará la mano de obra para la reparación/reemplazo asociada con la cobertura de la garantía. A partir de entonces, DFC no pagará la mano de obra asociada con la extracción/reparación/reemplazo de los productos cubiertos por esta garantía. Para aplicaciones comerciales, DFC, con la aprobación previa de DFC, pagará la mano de obra asociada con la cobertura de la garantía durante noventa (90) días a partir de la fecha en que el comprador original o su representante autorizado (contratista de instalación, etc.) reciba el producto. A partir de entonces, DFC no pagará la mano de obra asociada con la extracción/reparación/reemplazo de los productos cubiertos por esta garantía. **Estos son recursos exclusivos del consumidor.**

**Lo que no está cubierto:** Debido a que DFC no puede controlar la calidad de los productos DFC vendidos por vendedores no autorizados, a menos que la ley lo prohíba, esta garantía no cubre los productos DFC comprados a vendedores no autorizados. Esta garantía no cubre los daños causados por una instalación o uso inadecuado o negligente. Siempre que DFC pague el costo de la mano de obra según los términos anteriores, esta garantía no cubre las reparaciones intentadas por cualquier persona que no sea un agente autorizado de DFC y se limitará a la reparación o reemplazo de piezas defectuosas por parte de DFC o su agente autorizado.

**Esta garantía queda anulada si ocurre cualquiera de lo siguiente:**

- El uso del producto para una aplicación no prevista, incluida una aplicación de un producto que no está destinado para uso comercial.
- No seguir las instrucciones, incluidas las instrucciones de cuidado, limpieza y uso, proporcionadas en el manual del propietario del producto.
- El número de serie del producto ha sido alterado o eliminado.
- El producto se modifica de cualquier manera que DFC concluya, después de su inspección, que afecta la confiabilidad del producto.
- El producto ha sido reparado incorrectamente por alguien que no ha sido específicamente designado o autorizado por DFC.
- El producto está dañado porque no se operó o instaló de acuerdo con las instrucciones proporcionadas.
- El producto está instalado al aire libre.
- El producto está instalado en un área húmeda y/o húmeda con aire no acondicionado o temperaturas que exceden los 104 grados Fahrenheit.
- El producto está dañado debido a la congelación.
- El producto está dañado por fuerza mayor.

**Cómo hacer un reclamo de garantía:** Para obtener reparación o reemplazo en garantía, comuníquese con Delta al: 800-355-6478 o [steam-prodserv@deltafaucet.com](mailto:steam-prodserv@deltafaucet.com) para recibir un RGA# (Número de autorización de devolución de mercancías) que debe estar en la caja que se devuelve a través de UPS Ground o el equivalente. El comprobante de compra (recibo de compra original que muestre la fecha de compra) que identifique el modelo y el número de serie y la documentación de la fecha de recepción del producto por parte del comprador original o su representante autorizado (contratista de instalación, etc.) debe acompañar todos los reclamos de garantía.

**Limitación de la duración de las garantías implícitas:** Tenga en cuenta que algunos estados/provincias (incluido Quebec) no permiten limitaciones sobre la duración de una garantía implícita, por lo que es posible que las siguientes limitaciones no se apliquen en su caso. EN LA MEDIDA MÁXIMA PERMITIDA POR LA LEY APLICABLE, CUALQUIER GARANTÍA IMPLÍCITA, INCLUIDAS LAS GARANTÍAS IMPLÍCITAS DE COMERCIABILIDAD E IDONEIDAD PARA UN FIN DETERMINADO, SE LIMITA AL PERÍODO LEGAL O A LA DURACIÓN DE ESTA GARANTÍA, EL QUE SEA MÁS BREVE.

**Limitación de daños especiales, incidentales o consecuentes:** Tenga en cuenta que algunos estados/provincias (incluido Quebec) no permiten la exclusión o limitación de daños especiales, incidentales o consecuentes, por lo que es posible que las siguientes limitaciones y exclusiones no se apliquen en su caso. EN LA MEDIDA MÁXIMA PERMITIDA POR LA LEY APLICABLE, ESTA GARANTÍA NO CUBRE, Y DFC NO SERÁ RESPONSABLE DE NINGÚN DAÑO ESPECIAL, INCIDENTAL O CONSECUENTE QUE SURJA DEL INCUMPLIMIENTO DE CUALQUIER GARANTÍA EXPLÍCITA O IMPLÍCITA, INCUMPLIMIENTO DE CONTRATO, AGRAVIO O DE OTRA MANERA.

**Derechos adicionales:** Esta garantía le otorga derechos legales específicos, y es posible que también tenga otros derechos que varían de un estado/provincia a otro estado/provincia. Esta es la garantía escrita exclusiva de Delta y la garantía no es transferible.

**Garantie limitée des douches à vapeur et des bains de vapeur Delta®**  
*Applicable aux produits achetés et installés aux États-Unis et au Canada*

**Générateurs pour bain de vapeur résidentiel:** Delta Faucet Company (« DFC ») garantit à l'acheteur au détail initial que les pièces (sauf les pièces électroniques) de ce générateur pour bain de vapeur résidentiel achetées de vendeurs Delta autorisés sont exemptes de matériaux défectueux et de vices de fabrication. Cette garantie à vie limitée est valide aussi longtemps que l'acheteur au détail initial possède la maison dans laquelle le bain de vapeur a été installé. Elle ne s'applique pas aux générateurs pour bain de vapeur résidentiels utilisés dans des applications commerciales (définies dans le présent document).

**Pièces électroniques, commandes, options de spa et accessoires résidentiels:** DFC garantit à l'acheteur au détail initial que les pièces électroniques de son générateur pour bain de vapeur ainsi que les commandes, les options de spa et les accessoires achetés de vendeurs Delta autorisés seront exempts de matériaux défectueux et de vices de fabrication pendant une période de deux (2) ans calculée à compter de la date de réception du produit par l'acheteur au détail initial ou son représentant autorisé (entrepreneur chargé de l'installation, etc.). Cette garantie limitée de deux ans ne s'applique pas aux commandes, aux options de spa, aux pièces électroniques et aux accessoires qui sont utilisés dans des applications commerciales (définies dans le présent document).

**Garantie pour les applications commerciales:** Dans le libellé de la présente garantie, « applications commerciales » désigne toute installation dans des lieux où le produit n'est pas utilisé par un ménage, y compris, sans s'y limiter, les lieux d'accueil, les spas de jour, les lieux d'hébergement loués à court et à long termes ainsi que les salles de conditionnement physique.

DFC garantit que les pièces (y compris les pièces électroniques) de ses générateurs pour bain de vapeur (y compris les générateurs pour bain de vapeur dont le numéro de modèle débute par 5COM), l'équipement, les commandes, les pièces électroniques, les options de spa et les accessoires achetés de vendeurs Delta autorisés et utilisés dans des applications commerciales seront exemptes de matériaux défectueux et de vices de fabrication pendant une période d'un (1) an calculée à compter de la date de réception du produit par l'acheteur initial ou son représentant autorisé (entrepreneur chargé de l'installation, etc.).

**Ce que nous ferons:** À sa discrétion, DFC réparera ou remplacera, sans frais, toute pièce ayant été installée, utilisée et entretenue normalement qui comportera un matériau défectueux et/ou présentera un vice de fabrication pendant la période de garantie susmentionnée. DFC pourra décider de rembourser le prix d'achat. Les pièces de rechange seront fournies sous réserve de leur disponibilité et elles pourront être différentes de celles fournies initialement.

Dans le cas des applications résidentielles, au cours de la période de deux (2) ans qui suivra la réception du produit par l'acheteur au détail initial ou son représentant autorisé (entrepreneur chargé de l'installation, etc.) et sous réserve de l'approbation au préalable de DFC, DFC paiera la main-d'œuvre pour la réparation ou le remplacement des produits aux termes de la garantie. Par la suite, DFC ne paiera pas la main-d'œuvre nécessaire pour la dépose et la réparation ou le remplacement des produits couverts par la présente garantie.

Dans le cas des applications commerciales, DFC paiera, sous réserve de l'approbation au préalable de DFC, la main-d'œuvre associée à la couverture de la garantie pendant une période de quatre-vingt-dix (90) jours calculée à compter de la date de réception du produit par l'acheteur initial ou son représentant autorisé (entrepreneur chargé de l'installation, etc.). Par la suite, DFC ne paiera pas la main-d'œuvre nécessaire pour la dépose et la réparation ou le remplacement des produits couverts par la présente garantie. **Il s'agit des seuls recours du consommateur.**

**Ce qui n'est pas couvert:** Étant donné que DFC est incapable de contrôler la qualité des produits vendus par des vendeurs non autorisés, la présente garantie ne couvre pas les produits Delta vendus par des vendeurs non autorisés, à moins qu'une telle restriction soit interdite par la loi.

La présente garantie ne couvre pas les dommages causés par une installation ou une utilisation inappropriée ou négligente. Étant donné que DFC paie le coût de la main-d'œuvre selon les modalités susmentionnées, la présente garantie ne couvre pas les réparations effectuées par une personne autre qu'un agent autorisé DFC et elle se limite à la réparation ou au remplacement des pièces défectueuses par DFC ou son agent autorisé.

**La présente garantie ne s'applique pas dans l'une ou l'autre des circonstances suivantes :**

- L'utilisation du produit pour une application à laquelle il n'est pas destiné, y compris une application commerciale si le produit n'est pas destiné à un usage commercial.
- L'omission de respecter les instructions, notamment les instructions d'entretien, de nettoyage et d'utilisation, contenues dans le manuel du propriétaire du produit.
- Le numéro de série a été altéré ou effacé.
- Le produit a été modifié d'une manière quelconque qui, de l'avis de DFC, après inspection du produit, compromet la fiabilité de celui-ci.
- Le produit a été réparé incorrectement par une personne quelconque qui n'est pas désignée ou autorisée expressément par DFC.
- Le produit est endommagé parce qu'il n'a pas été installé conformément aux instructions fournies.
- Le produit est installé à l'extérieur.
- Le produit est installé dans un environnement humide et l'air n'est pas climatisé ou la température excède 40 degrés Celsius (104 degrés Fahrenheit).
- Le produit a été endommagé par le gel.
- Le produit a été endommagé en raison d'un acte fortuit.

**Comment faire une réclamation aux termes de la garantie:** Pour faire réparer ou remplacer le produit aux termes de la garantie, communiquez avec DFC au 800-394-6478 ou à [steam-prodserv@deltafaucet.com](mailto:steam-prodserv@deltafaucet.com) afin d'obtenir un numéro d'autorisation de retour qui devra se trouver dans l'emballage retourné par l'intermédiaire de UPS Ground ou l'équivalent. La preuve d'achat (original du reçu montrant la date d'achat) indiquant le modèle et le numéro de série ainsi que la documentation indiquant la date de réception par l'acheteur initial ou son représentant autorisé (entrepreneur chargé de l'installation, etc.) doivent accompagner toutes les réclamations aux termes de la garantie.

**Limitation de la durée des garanties implicites:** Veuillez noter qu'il est interdit dans certains États et certaines provinces (y compris le Québec) de limiter la durée d'une garantie implicite. Par conséquent, les limites mentionnées ci-dessous peuvent ne pas s'appliquer à vous. **DANS LA MESURE DE CE QUI EST PERMIS PAR LA LOI APPLICABLE, TOUTES LES GARANTIES IMPLICITES, Y COMPRIS LE GARANTIES IMPLICITES DE QUALITÉ MARCHANDE ET D'ADÉQUATION À UN USAGE PARTICULIER, SE LIMITENT À LA PÉRIODE FIXÉE PAR LA LOI OU À LA DURÉE DE LA PRÉSENTE GARANTIE, LA PLUS COURTE DES DEUX PÉRIODES S'APPLIQUANT.**

**Limitation des dommages particuliers, consécutifs ou indirects:** Veuillez noter qu'il est interdit dans certains États et certaines provinces (y compris le Québec) d'exclure ou de limiter les dommages particuliers, consécutifs ou indirects. Par conséquent, les exclusions et les limites mentionnées ci-dessous peuvent ne pas s'appliquer à vous. **DANS LA MESURE DE CE QUI EST PERMIS PAR LE DROIT APPLICABLE, DFC SE DÉGAGE DE TOUTE RESPONSABILITÉ À L'ÉGARD DES DOMMAGES PARTICULIERS, CONSÉCUTIFS OU INDIRECTS, PEU IMPORTE QU'ILS DÉCOULENT D'UNE RUPTURE D'UNE GARANTIE IMPLICITE OU EXPLICITE, D'UNE RUPTURE DE CONTRAT, D'UN DÉLIT CIVIL OU D'UNE AUTRE CAUSE, ET CES DOMMAGES NE SONT PAS COUVERTS PAR LA GARANTIE.**

**Droits supplémentaires:** La présente garantie vous procure des droits particuliers reconnus par la loi. Vous pouvez aussi avoir d'autres droits qui varient selon l'État ou la province. La présente garantie écrite est la seule garantie offerte par DFC et elle n'est pas transférable.



see what Delta can do™

113190



X00113190

## 5P-EST12, 5P-EST15 & EP103327, EP103328 SERIES GENERATOR INSTRUCTIONS

### INSTRUCCIONES PARA EL GENERADOR DE LA SERIE 5P-EST12, 5P-EST15 Y EP103327, EP103328

### INSTRUCTIONS CONCERNANT LES GÉNÉRATEURS DES SÉRIES 5P-EST12, 5P-EST15 ET EP103327, EP103328

Model Number: \_\_\_\_\_

Número del modelo

Numéro de modèle

Serial Number: \_\_\_\_\_

Número del serie

Matricule

Date of Purchase: \_\_\_\_\_

Fecha de compra

Date d'achat

Register Online

Regístrese en línea

S'enregistrer en ligne

[www.deltafaucet.com/service-parts/product-registration](http://www.deltafaucet.com/service-parts/product-registration)

To reference replacement parts and access additional technical documents and product info, visit [www.deltafaucet.com/service-parts](http://www.deltafaucet.com/service-parts)

Para referencia sobre las piezas de repuesto y acceder a documentos técnicos adicionales e información del producto, visite [www.deltafaucet.com/service-parts](http://www.deltafaucet.com/service-parts)

Pour obtenir la référence des pièces de rechange ainsi que pour avoir accès à d'autres documents techniques et renseignements sur le produit, allez à [www.deltafaucet.com/service-parts](http://www.deltafaucet.com/service-parts)



1-800-394-6478

[www.deltafaucet.com/service-parts/contact-us/](http://www.deltafaucet.com/service-parts/contact-us/)

Read all instructions prior to installation.

#### ⚠ CAUTION

Failure to read these instructions prior to installation may result in personal injury, property damage, or product failure. Manufacturer assumes no responsibility for product failure due to improper installation.

Lea todas las instrucciones antes de hacer la instalación.

#### ⚠ ADVERTENCIA

El no leer estas instrucciones de instalación puede resultar en lesiones personales, daños a la propiedad, o falla en el funcionamiento del producto. El fabricante no asume ninguna responsabilidad por la falla del producto debido a una instalación incorrecta.

Veillez lire toutes les instructions avant l'installation.

#### ⚠ ATTENTION

L'omission de lire les présentes instructions avant l'installation peut entraîner des blessures, des dommages matériels ou le bris du produit. Le fabricant se dégage de toute responsabilité à l'égard d'un bris du produit causé par une mauvaise installation.

**NOTE:** A EP103350 or 5P-EST series control and steam head are required to operate the EP103327, EP103328 & 5P-EST12/ 5P-EST15 Series generators.

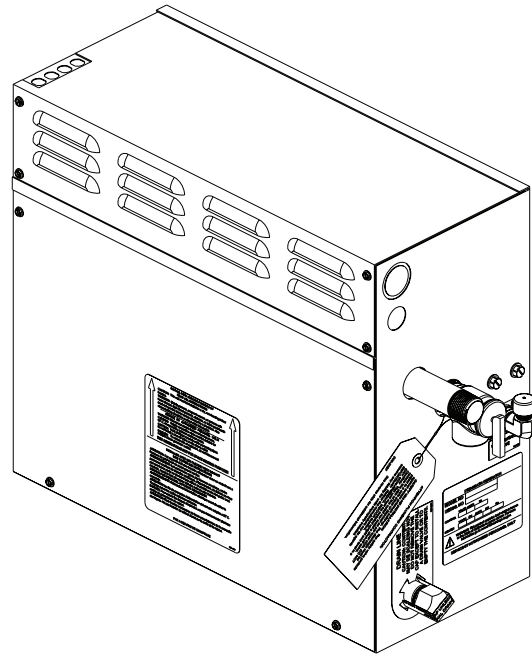
The EP103327, EP103328 & 5P-EST12/ 5P-EST15 Series generators operates with ONLY the EP103350 or 5P-EST series control mounted inside the shower. The generator is small enough in size to be tucked away in a vanity, closet, or basement, but large enough to provide steam for most residential baths. The EP103327, EP103328 & 5P-EST12/ 5P-EST15 Series generators comes factory assembled, carefully wired and tested.

**NOTA:** Para operar los generadores de las series EP103327, EP103328 y 5P-EST12/5P-EST15, se requiere un cabezal de vapor y un control de la serie EP103350 o 5P-EST.

Los generadores de las series EP103327, EP103328 y 5P-EST12/ 5P-EST15 funcionan SÓLO con el control de la serie EP103350 o 5P-EST montado dentro de la regadera. El generador es lo suficientemente pequeño como para guardarlo en un tocador, armario o sótano, pero lo suficientemente grande como para proporcionar vapor a la mayoría de los baños residenciales. Los generadores de las series EP103327, EP103328 y 5P-EST12/ 5P-EST15 vienen ensamblados de fábrica, cuidadosamente cableados y probados.

**NOTE :** Un appareil de commande et une tête de vapeur de la série EP103350 ou 5P-EST sont requis pour faire fonctionner les générateurs de vapeur des séries EP103327, EP103328 et 5P-EST12/ 5P-EST15.

Les générateurs de vapeur des séries EP103327, EP103328 et 5P-EST12/ 5P-EST15 fonctionnent UNIQUEMENT avec les appareils de commande de la série EP103350 ou 5P-EST montés à l'intérieur de la douche. Le générateur de vapeur est suffisamment petit pour être installé dans un meuble-lavabo, un placard ou au sous-sol, mais il est assez puissant pour alimenter la plupart des bains de vapeur résidentiels en vapeur. Les générateurs de vapeur des séries EP103327, EP103328 et 5P-EST12/ 5P-EST15 ont été assemblés, câblés soigneusement et testés en usine.



#### ⚠ WARNING

All electrical power should be turned OFF when working with Steam Generator.

#### ⚠ ADVERTENCIA

Toda la electricidad debe estar APAGADA cuando se trabaja con el generador de vapor.

#### ⚠ AVERTISSEMENT

Il faut INTERROMPRE l'alimentation électrique entièrement avant d'entreprendre des travaux sur le générateur de vapeur.

# 1

## Plumbing Section Sección de Plomería Section plomberie

**IMPORTANT:** This product must be installed by a licensed plumber and electrician in accordance with all applicable local and national plumbing and electrical codes and regulations.

### STEAM ROOM GUIDELINES

1. Steam room must be completely enclosed, with full walls, door, floor and ceiling.
2. It is recommended that a gasketed door is used for steam containment.
3. To prevent slip and fall hazards, non-slip flooring or non-slip floor strips must be installed in the steam room.
4. Check the suitability of any materials with Delta Faucet Company. Walls and ceilings must be constructed of water-resistant, non-corrosive surfaces, such as tile, marble, or other non-porous material. Avoid the use of plastic which may not be rated for the 212°F temperature of the steam exiting the steam head.
5. The ceiling should be sloped to minimize dripping of condensation. The recommended slope is 2" per foot.
6. Provide a floor drain.
7. No heating, venting or air conditioning devices should be installed inside the steam room.
8. Windows that are part of the steam room should be double paned and tempered safety glass.
9. For optimum performance, limit steam room ceiling height to 8 feet. Exceeding 8 feet may require a higher-rated steam generator.

**NOTE:** Max. ceiling height is 10 feet.

### Pre-Installation

1. Be sure that the proper size Steam Generator has been selected by using the sizing page in the Full Line Brochure, Pricing Guide, The Generator Sizing Guide, The Configurator Tool Guide, or in the Residential Systems/Steam Bath Product Information section of the Delta website - [www.deltafaucet.com](http://www.deltafaucet.com).

#### ⚠ CAUTION

An improperly sized Steam Generator may NOT produce the amount of steam necessary to reach selected temperature.

2. For optimum performance, the Steam Generator should be located as close as possible to the Steam room, Shower or tub enclosure using a 3/4" copper pipe (1/2" copper pipe is also acceptable, but not preferred due to the potential for increased system noise). If the steam pipe exceeds ten feet, it should be insulated using appropriate pipe insulation rated for a minimum of 212° F. For optimum performance, the steam pipe should be less than 25 feet long. Maximum steam pipe distance should not exceed a total of fifty linear feet. Refer to Installation Suggestions.

#### ⚠ CAUTION

Do NOT install near flammable material such as paints, thinners, gasoline, etc.

#### ⚠ CAUTION

Steam generators must NOT be installed outdoors, in moist, humid areas, in areas prone to freezing, or in extreme heat such as an unventilated attic. To do so will void the warranty.

3. The steam line and safety valve reach a temperature of 212°F during operation and should be appropriately protected to prevent personal injury by accidental contact and routed properly to prevent property damage..

### Plumbing Rough-in

1. Plumbing is required for the water supply and steam line. This should be completed before the walls are closed. For operation, the EP103327, EP103328 & 5P-EST12/ 5P-EST15 Series generators requires a 3/8" O.D. copper tubing to the fitting on the Generator for water inlet and a 3/4" copper or brass pipe for steam outlet.

**NOTE:** Pressure Safety Valve should be connected to a minimum 3/4" indirect waste or as required by local plumbing codes. In the event this valve should open, the discharge must be directed to prevent damage to the home. Do not connect the safety valve outlet to the steam line.

2. Water Inlet - Rough in a water line, 120 PSI max, to the hot or cold (preferred) supply. A shut off valve with a 3/8" connection to the steam generator is to be provided at the generator location (see Figure 3).
3. Steam Outlet - Rough in the steam line using a 3/4" copper or brass pipe. Do NOT use black iron or galvanized pipe, as it will rust and discolor the wall of the steam bath. Do NOT use any plastic type pipe or fittings. The steam head location should be 12" to 18" above the shower floor or 6" above the rim of the bathtub, and should be as far from the seating area as possible and not directly below the user control.

#### ⚠ CAUTION

No shutoff valve can be installed in the steam line. Do NOT create traps or valleys in this line which would trap condensation and block the flow of steam. The steam pipe should be pitched allowing condensation to run back toward the Steam Generator (preferred), or toward the steam head.

### Steam Generator Installation

The Steam Generator should be mounted in a location convenient for hook-up and service by the plumber and electrician.

#### ⚠ CAUTION

The Steam Generator is designed to be used ONLY in an upright and level position. To do otherwise would damage the unit and void the warranty.

1. The Steam Generator can be mounted to a wall or set on the floor. However, the unit must be secured. To secure the unit to a vertical wall, loosen the two screws holding the electrical access cover. Remove cover. Located inside the cabinet near the top left and right corners are mounting holes. Place top cover back and secure.
2. Connect the 3/8" water inlet to a shut off valve as described in Plumbing rough-in step 2 (above). The valve must be kept in an open position during normal operation. In an area where water hammer is a problem install a water hammer arrestor (not supplied) in the line.

**IMPORTANT:** Do NOT use a "saddle valve" or piercing type valve for water connection.

3. Connect the steam line from rough-in location described in Section 2 to the 3/4" nipple on the Steam Generator using a union (not supplied).

**IMPORTANTE:** Este producto debe ser instalado por un plomero y electricista autorizado de acuerdo con todos los códigos y regulaciones locales y nacionales aplicables de plomería y electricidad.

#### DIRECTRICES DE LA SALA DE VAPOR

1. La sala de vapor debe estar completamente cerrada, con paredes, puertas, piso y techo terminados.
2. Se recomienda utilizar una puerta con juntas para contener el vapor.
3. Para evitar riesgos de resbalones y caídas, se deben instalar pisos o tiras antideslizantes en el baño de vapor.
4. Verifique la idoneidad de cualquier material con el Delta Faucet Company. Las paredes y los techos deben estar contruidos con superficies resistentes al agua y no corrosivas, como baldosas, mármol u otras material no poroso. Evite el uso de plástico que no esté clasificado para la temperatura de 212°F del vapor que sale del cabezal de vapor.
5. El techo debe estar inclinado para minimizar el goteo de condensado. La pendiente recomendada es de 2" por pie.
6. Proporcione un desagüe en el piso.
7. No se deben instalar dispositivos de calefacción, ventilación o aire acondicionado dentro de la sala de vapor.
8. Las ventanas que forman parte del baño de vapor deben ser de doble panel y vidrio de seguridad templado.
9. Para un rendimiento óptimo, limite la altura del techo de la sala de vapor a 8 pies. Exceder los 8 pies puede requerir un generador de vapor de mayor capacidad.

**NOTA:** Máx. la altura del techo es de 10 pies.

#### Pre-Instalación

1. Asegúrese de haber seleccionado el generador de vapor del tamaño adecuado utilizando la página de dimensionamiento en el Folleto de la línea completa, la Guía de precios, la Guía de dimensionamiento del generador, la Guía de herramientas del configurador, o en la Información de productos de sistemas residenciales/baños de vapor sección del sitio web de Delta: [www.deltafaucet.com](http://www.deltafaucet.com).

#### ⚠ ADVERTENCIA

Es posible que un generador de vapor de tamaño inadecuado NO produzca la cantidad de vapor necesaria para alcanzar la temperatura seleccionada.

2. Para un rendimiento óptimo, el generador de vapor debe ubicarse lo más cerca posible del recinto de la sala de vapor, la regadera o la bañera utilizando una tubería de cobre de 3/4" (también es aceptable una tubería de cobre de 1/2", pero no se prefiere debido al posible aumento del ruido del sistema). Si la tubería de vapor excede los diez pies, debe aislarse con un aislamiento de tubería adecuado clasificado para un mínimo de 212° F. Para un rendimiento óptimo, la tubería de vapor debe ser menos de 25 pies de largo. La distancia máxima de la tubería de vapor no debe exceder un total de cincuenta pies lineales. Consulte Sugerencias de instalación.

#### ⚠ ADVERTENCIA

NO instale cerca de materiales inflamables como pinturas, diluyentes, gasolina, etc.

#### ⚠ ADVERTENCIA

Los generadores de vapor NO deben instalarse al aire libre, en áreas húmedas, en áreas propensas a la congelación o al calor extremo, como un ático sin ventilación. El hacerlo anulará la garantía.

3. The La línea de vapor y la válvula de seguridad alcanzan una temperatura de 212° F durante el funcionamiento y deben protegerse adecuadamente para evitar lesiones personales por contacto accidental y enrutarse correctamente para evitar daños a la propiedad.

#### Instalación de la Fontanería

1. Se requiere plomería para el suministro de agua y la línea de vapor. Esto debe completarse antes de que se cierren las paredes. Para su funcionamiento, los generadores de las series EP103327, EP103328 y 5P-EST12/ 5P-EST15 requieren un diámetro externo de 3/8". tubería de cobre al accesorio del Generador para la entrada de agua y una tubería de cobre o latón de 3/4" para la salida de vapor.

**NOTA:** La válvula de seguridad de presión debe conectarse a un desagüe indirecto de mínimo 3/4" o según lo exijan los códigos de plomería locales. En el improbable caso de que esta válvula se abra, la descarga debe dirigirse para evitar daños a la casa. No conecte la salida de la válvula de seguridad a la línea de vapor.

2. Water Inlet Entrada de agua: fontanería en una línea de agua, 120 PSI máx., al suministro de agua caliente o fría (preferido). Se debe proporcionar una válvula de cierre con una conexión de 3/8" al generador de vapor en la ubicación del generador (vea la Figura 3).
3. Salida de vapor: empalme la línea de vapor con un tubo de cobre o latón de 3/4". NO use tubería de hierro negro o galvanizada, ya que oxidará y decolorará la pared del baño de vapor. NO utilice ningún tipo de tubería o accesorios de plástico. La ubicación del cabezal de vapor debe estar entre 12" y 18" por encima del piso de la regadera o 6" por encima del borde de la bañera y debe estar lo más lejos posible del área para sentarse y no directamente debajo del control del usuario.

#### ⚠ ADVERTENCIA

No se puede instalar una válvula de cierre en la línea de vapor. NO cree trampas o valles en esta línea que atraparían la condensación y bloquearían el flujo de vapor. La tubería de vapor debe estar inclinada para permitir que corra la condensación hacia el generador de vapor (preferido) o hacia el cabezal de vapor.

#### Instalación del generador de vapor

El generador de vapor debe instalarse en un lugar conveniente para que el plomero y el electricista puedan conectarlo y darle servicio.

#### ⚠ ADVERTENCIA

El generador de vapor está diseñado para usarse ÚNICAMENTE en posición vertical y nivelada. De lo contrario, se dañaría la unidad y se anularía la garantía.

1. El generador de vapor puede instalarse en una pared o colocarse en el suelo. Sin embargo, debe fijar la unidad. Para fijar la unidad a una pared vertical, afloje los dos tornillos que sujetan la cubierta de acceso eléctrico. Retire la cubierta. Dentro del gabinete, cerca de las esquinas superiores izquierda y derecha, se encuentran los orificios de montaje. Vuelva a colocar la cubierta superior y fíjela.
2. Conecte la entrada de agua de 3/8" a una válvula de cierre como se describe en el paso 2 de Instalación de la fontanería (arriba). La válvula debe mantenerse en una posición abierta durante el funcionamiento normal. En un área donde el golpe de ariete sea un problema, instale un supresor de golpe de ariete (no suministrado) en la línea.

**IMPORTANTE:** NO utilice una "válvula de silla" o una válvula de tipo perforante para la conexión de agua.

3. Conecte la línea de vapor desde el lugar de empalme descrito en la Sección 2 a la entrerrosca de 3/4" en el Generador de vapor usando una unión (no provista).

**IMPORTANT:** Ce produit doit être installé par un plombier et un électricien agréés conformément à tous les codes et réglementations locaux et nationaux applicables en matière de plomberie et d'électricité.

#### DIRECTIVES CONCERNANT L'ENCEINTE DE VAPEUR

1. L'enceinte de vapeur doit être complètement fermée, c'est-à-dire qu'elle doit être isolée par des murs, une porte, un plancher et un plafond.
2. Il est recommandé que la porte soit munie d'un joint afin qu'elle puisse retenir la vapeur.
3. Pour prévenir les pertes d'équilibre et les chutes, un revêtement de plancher antidérapant ou des bandes antidérapantes doivent être installés dans l'enceinte de vapeur.
4. Consultez le Delta Faucet Company pour vous assurer que le matériau convient. Les murs et le plafond doivent être constitués d'un matériau imperméable qui résiste à la corrosion comme les carreaux de céramique ou le marbre ou d'un autre matériau non poreux. Évitez d'utiliser un plastique qui peut ne pas être homologué pour la température de 100 °C (212 °F) de la vapeur qui s'échappe de la tête de vapeur.
5. Le plafond doit être incliné pour empêcher autant que possible le condensat de dégoutter. La pente recommandée est de 2 po au pied.
6. Installez un avaloir de sol.
7. N'installez pas d'appareil de chauffage ou de climatisation ni d'évent à l'intérieur de l'enceinte de vapeur.
8. Les fenêtres de l'enceinte de vapeur doivent être du type à double vitrage et constituées de verre de sécurité trempé.
9. Pour obtenir un rendement optimal, limitez la hauteur du plafond de l'enceinte de vapeur à 8 pieds. Si la hauteur excède 8 pieds, un générateur de vapeur plus puissant pourra être requis.

**NOTE :** La hauteur maximale du plafond est de 10 pieds.

#### Avant l'installation

1. Prenez soin de sélectionner un générateur de vapeur de la bonne puissance en consultant la page de caractéristiques de puissance dans la brochure complète, le guide des prix, le guide de sélection de la puissance du générateur, l'outil de configuration, ou la section du site Web de Delta – [www.deltafaucet.com](http://www.deltafaucet.com) qui renferme de l'information sur les systèmes et les bains de vapeur résidentiels.

#### **ATTENTION**

Un générateur de vapeur n'ayant pas les caractéristiques de puissance requises pourra NE PAS produire la quantité de vapeur nécessaire à l'atteinte de la température recherchée.

2. Pour qu'il puisse procurer un rendement optimal, le générateur de vapeur doit se trouver aussi près que possible de l'enceinte de vapeur, de la douche ou de l'enceinte de baignoire et un tuyau de cuivre de 3/4 po doit être utilisé (l'utilisation d'un tuyau de cuivre de 1/2 po est acceptable, mais elle n'est pas la meilleure solution car elle peut accroître le bruit produit par le système). Si la longueur du tuyau de vapeur excède 10 pieds, celui-ci doit être recouvert d'un isolant homologué pour une température minimale de 100 °C (212 °F). Pour que le rendement soit optimal, la longueur du tuyau de vapeur doit être inférieure à 25 pieds. La longueur du tuyau de vapeur ne doit pas dépasser cinquante pieds linéaires. Consultez les Méthodes d'installation proposées.

#### **ATTENTION**

N'installez PAS le générateur près d'un endroit où sont conservés des produits inflammables : peinture, diluant à peinture, essence, etc.

#### **ATTENTION**

Le générateur de vapeur NE DOIT PAS être installé à l'extérieur dans un endroit où il sera exposé à l'humidité ou au gel ni dans un endroit comme un grenier non ventilé où il sera exposé à une chaleur extrême. Le générateur de vapeur ne sera pas protégé par la garantie s'il a été installé à ces endroits.

3. Le tuyau de vapeur et la soupape de sûreté atteignent une température de 100 °C (212 °F) pendant le fonctionnement l'appareil. Ces éléments doivent être isolés adéquatement afin que personne ne risque de se blesser en cas de contact accidentel et ils doivent être installés de manière à ne pas causer de dégâts matériels.

#### Plomberie brute

1. La plomberie brute est requise pour l'alimentation en eau et l'acheminement de la vapeur. Elle doit être installée avant que les murs soient fermés. Un tuyau de cuivre de 3/8 po DE doit être raccordé à l'entrée d'eau des générateurs des séries EP103327, EP103328 et 5P-EST12/ 5P-EST15 et un tuyau de cuivre ou de laiton de 3/4 po doit être raccordé à leur sortie de vapeur.

**NOTE:** La soupape de sûreté doit être raccordée à un tuyau d'évacuation d'au moins 3/4 po selon la méthode de raccordement indirect ou les exigences du code de la plomberie en vigueur dans la région de telle sorte que, dans l'éventualité peu probable où la soupape s'ouvrirait, l'eau évacuée serait dirigée de manière à ne pas endommager la maison. Ne raccordez pas la sortie de la soupape de sécurité à la conduite de vapeur.

2. Entrée d'eau – Installez un tuyau d'alimentation en eau froide (de préférence) ou en eau chaude, homologué pour une pression de 120 lb/po max. Un robinet d'arrêt de 3/8 po doit être monté dans le tuyau d'alimentation du générateur de vapeur à l'endroit où se trouvera le générateur de vapeur (reportez-vous à la figure 3).
3. Sortie de vapeur – Le tuyau de vapeur doit être en cuivre ou en laiton et il doit avoir un diamètre de 3/4 po. ÉVITEZ d'utiliser un tuyau en fer ou en acier galvanisé. Ce matériau rouille et tachera le mur du bain de vapeur. ÉVITEZ d'utiliser un tuyau et des raccords en plastique, peu importe leur type. La tête de vapeur doit se trouver à une hauteur comprise entre 12 po et 18 po par rapport au plancher de la douche ou à 6 po au-dessus du rebord de la baignoire et elle doit être située aussi loin que possible du coin salon et non directement sous le contrôle de l'utilisateur.

#### **ATTENTION**

Évitez d'installer un robinet d'arrêt dans le tuyau de vapeur. NE CRÉEZ PAS de pièges ni de creux qui retiendraient la condensation et bloqueraient la circulation de la vapeur. Le tuyau de vapeur doit être incliné de manière que la condensation retourne vers le générateur de vapeur (de préférence) ou qu'elle s'écoule vers la tête de vapeur.

#### Installation du générateur de vapeur

Le générateur de vapeur doit être installé à un endroit où il peut être branché et entretenu facilement par un plombier et un électricien.

#### **ATTENTION**

Le générateur de vapeur est conçu pour être utilisé UNIQUEMENT alors qu'il se trouve debout et de niveau. Un générateur de vapeur installé dans une autre position ne sera pas protégé par la garantie.

1. Le générateur de vapeur peut être monté au mur ou placé sur le plancher. Il doit toutefois être fixé. Pour le fixer à un mur vertical, desserrez les deux vis qui retiennent le couvercle d'accès aux composants électriques. Retirez le couvercle. Des trous de montage sont situés près des coins supérieurs gauche et droit du boîtier. Remettez le couvercle supérieur en place et fixez-le.
2. Raccordez l'entrée d'eau de 3/8 po à un robinet d'arrêt de la manière décrite à l'étape 2 de la section Plomberie brute (qui précède). Le robinet doit être ouvert lorsque l'appareil fonctionne. Si les coups de bélier posent un problème, installez un dispositif anti-bélier (non fourni) dans le tuyau.

**IMPORTANT :** ÉVITEZ de monter un robinet-vanne à étrier ou un robinet de type perceur dans le tuyau d'alimentation en eau.

3. Raccordez le tuyau de vapeur de la plomberie brute décrit dans la section 2 au manchon fileté de 3/4 po du générateur de vapeur au moyen d'un raccord-union (non fourni).

Figure 2 - Plumbing Diagram/Diagrama de la plomería /Schéma de plomberie

EP103327, EP103328 & 5P-EST12/ 5P-EST15 Series Generators  
 Generador de la Series EP103327, EP103328 y 5P-EST12/ 5PEST15  
 Générateurs des séries EP103327, EP103328 et 5P-EST12/ 5PEST15

Electrical Water Solenoid Valve  
 Válvula solenoide eléctrica de agua  
 Électrovanne d'eau

Cold Incoming Water Supply  
 120 psi Max.  
 Suministro de agua fría entrante 120 psi máx.  
 Tuyau d'alimentation en eau froide 120 lb/po max.

3/8" Shutoff Valve (not supplied)  
 Válvula de cierre de 3/8" (no incluida)  
 Robinet d'arrêt de 3/8 po (non fourni)

Union (required, not supplied)  
 Unión (requerido, no suministrado)  
 Raccord-union (requis, mais non fourni)

3/4" Steam Line  
 Línea de vapor de 3/4"  
 Tuyau de vapeur de 3/4 po

Water Level Probe  
 Sonda de nivel de agua  
 Sonde de niveau d'eau

Tank  
 Tanque  
 Bâche

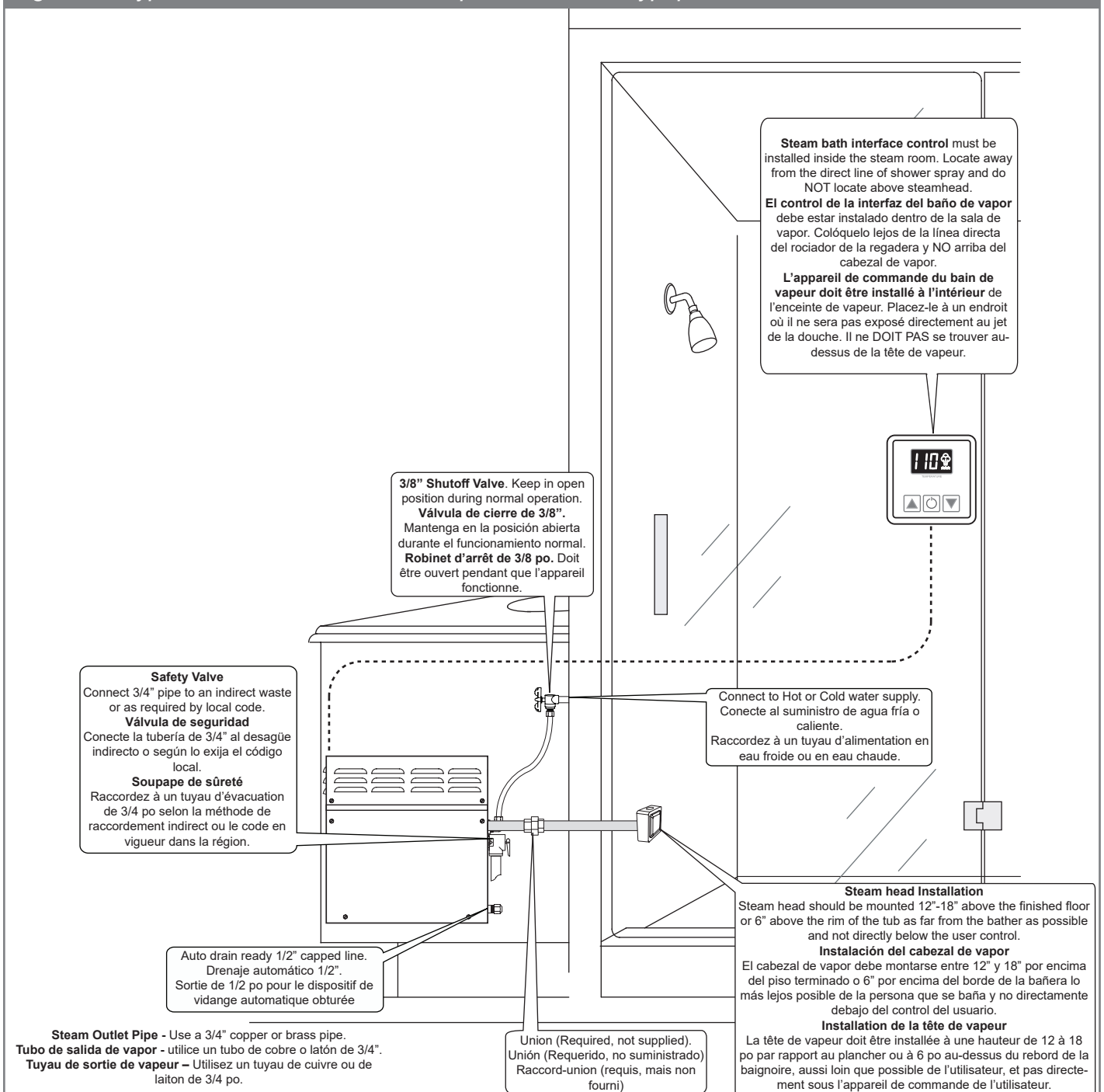
Steam line must be secured to prevent movement  
 La línea de vapor debe estar fija para prevenir el movimiento  
 Le tuyau de vapeur doit être fixé. Il ne doit pas bouger.

**IMPORTANT:** Install steam head 12" -18" above the shower floor or 6" above the rim of the bathtub and as far from the bather as possible and not directly below the user control.  
**IMPORTANTE:** Instale el cabezal de vapor entre 12" y 18" por encima del piso de la regadera o 6" por encima del borde de la bañera y lo más lejos posible del área para sentarse y no directamente debajo del control del usuario.  
**IMPORTANT :** Installez la tête de vapeur à une hauteur de 12 à 18 po par rapport au plancher ou à 6 po au-dessus du rebord de la baignoire et aussi loin que possible du coin salon et non directement sous le contrôle de l'utilisateur.

1/2" Optional Auto Drain Valve.  
 Connect to indirect waste or as required by local code.  
 Válvula de drenaje automático opcional de 1/2".  
 Conecte a desagües indirectos o según lo exija el código local.  
 Électrovanne de vidange automatique de 1/2 po facultative.  
 Raccordez à un tuyau d'évacuation selon la méthode de raccordement indirect ou les exigences du code plomberie en vigueur dans la région.

3/4" Pressure Safety Valve. Connect to indirect waste or as required by local code.  
 Válvula de Seguridad de Presión 3/4".  
 Conecte a desagües indirectos o según lo exija el código local.  
 Soupape de sûreté de 3/4 po. Raccordez à un tuyau d'évacuation selon la méthode de raccordement indirect ou les exigences du code plomberie en vigueur dans la région.

Figure 3 - Typical Installation/Instalación típica/Installation typique



**CAUTION**

Do NOT install a shutoff valve on the steam outlet pipe. Do NOT create traps or valleys in this line which would prevent the flow of steam. The steam outlet pipe should be pitched toward the steam generator (preferred), allowing condensation to run back into the steam generator or toward the steam head. If the steam pipe exceeds ten feet, use an appropriate pipe insulation rated for a minimum of 212° F.

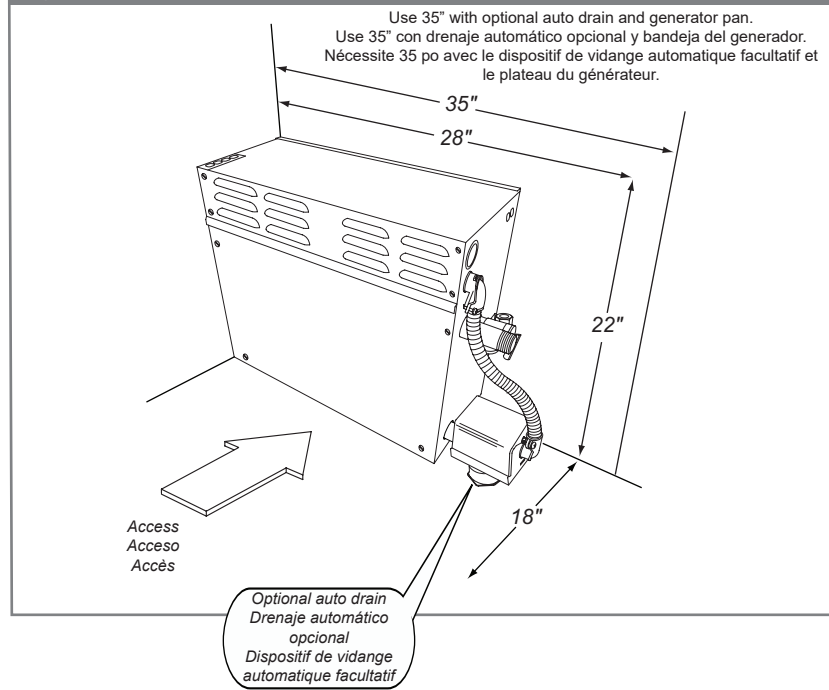
**ADVERTENCIA**

NO instale una válvula de cierre en la tubería de salida de vapor. NO cree trampas o valles en esta línea que impidan el flujo de vapor. La tubería de salida de vapor debe inclinarse hacia el generador de vapor (se prefiere), permitiendo que la condensación regrese al generador de vapor o hacia el cabezal de vapor. Si la tubería de vapor supera los diez pies, use un aislamiento de tubería adecuado clasificado para un mínimo de 212°F.

**ATTENTION**

ÉVITEZ d'installer un robinet d'arrêt dans le tuyau de sortie de vapeur. NE CRÉEZ PAS de pièges ni de creux qui empêcheraient la circulation de la vapeur. Le tuyau de sortie de vapeur doit être incliné de manière que la condensation retourne vers le générateur de vapeur (de préférence) ou qu'elle s'écoule vers la tête de vapeur. Si la longueur du tuyau de vapeur excède dix pieds, recouvrez celui-ci d'un isolant adéquat homologué pour une température d'au moins 100 °C (212 °C).

Figure 4



Select a location for mounting the steam generator that is accessible for installation and service. Figure 4 shows the minimum installation space required.

**CAUTION**

Steam generators must be located indoors, in an area where the temperature is limited to 50° F - 104° F. Steam generators must NOT be installed outdoors, in moist, humid areas, in areas prone to freezing, or in extreme heat such as an unventilated attic. To do so will void the warranty.

**IMPORTANT:** Steam generator must be installed upright and level. The serial number info should be visible and the steam generator should be accessible for service.

Seleccione una ubicación para montar el generador de vapor que sea accesible para la instalación y el servicio. En la figura 4 se muestra el espacio mínimo de instalación necesario.

**ADVERTENCIA**

Los generadores de vapor deben ubicarse en el interior, en un área donde la temperatura se limite a 50° F - 104° F. Los generadores de vapor NO deben instalarse al aire libre, en áreas húmedas, en áreas propensas a la congelación o al calor extremo, como un ático sin ventilación. Hacerlo anulará la garantía.

**IMPORTANTE:** El generador de vapor debe instalarse en posición vertical y nivelada. La información del número de serie debe estar visible y el generador de vapor debe estar accesible para el servicio.

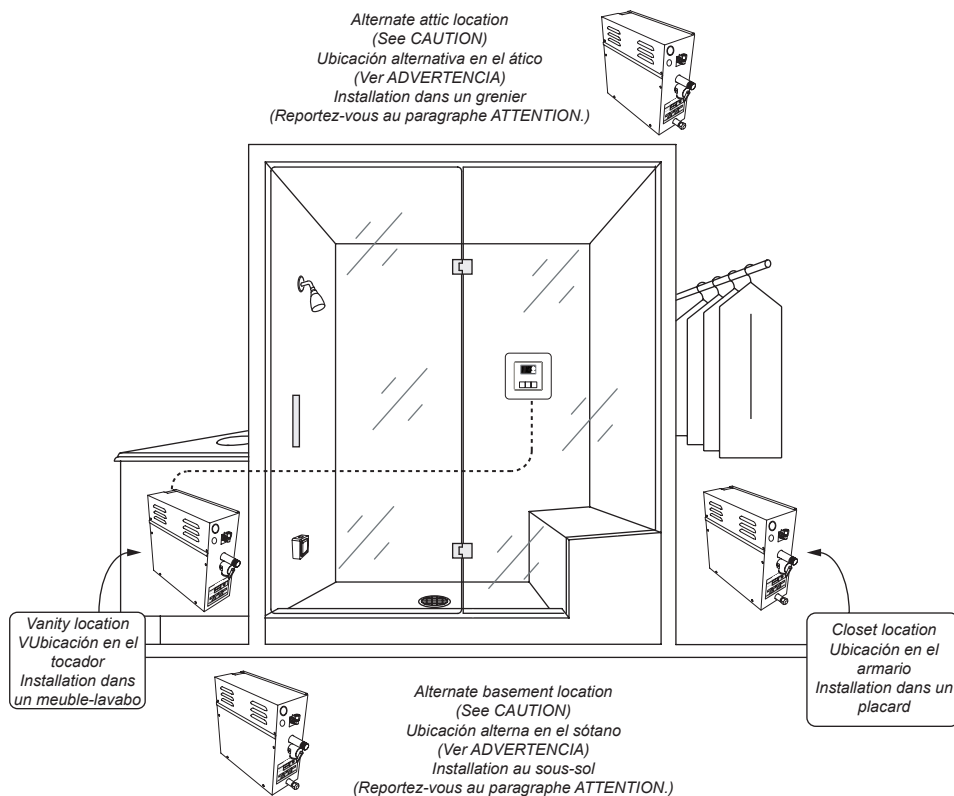
Sélectionnez un endroit pour monter le générateur de vapeur qui est accessible pour l'installation et l'entretien. La figure 4 montre l'espace minimum nécessaire pour l'installation.

**ATTENTION**

Les générateurs de vapeur doivent être situés à l'intérieur, à un endroit où la température est comprise entre 10 °C et 40 °C (50 °F – 104 °F). Les générateurs de vapeur NE DOIVENT PAS être installés à l'extérieur, à un endroit où ils peuvent être exposés à l'humidité ou au gel, ni à un endroit comme un grenier non ventilé où ils peuvent être exposés à une chaleur extrême. Un générateur de vapeur installé à un de ces endroits ne sera pas protégé par la garantie.

**IMPORTANT :** Le générateur de vapeur doit être installé debout et de niveau. Le numéro de série doit être visible et le générateur de vapeur doit être accessible aux fins d'entretien.

## Installation Suggestions/Sugerencias de instalación/Suggestions d'installation



### ⚠ CAUTION

Steam generators must be located indoors, in an area where the temperature is limited to 50° F - 104° F. Steam generators must NOT be installed outdoors, in moist, humid areas, in areas prone to freezing, or in extreme heat such as an unventilated attic. To do so will void the warranty.

### ⚠ ADVERTENCIA

Los generadores de vapor deben ubicarse en el interior, en un área donde la temperatura se limite a 50° F - 104° F. Los generadores de vapor NO deben instalarse al aire libre, en áreas húmedas, en áreas propensas a la congelación o al calor extremo, como un ático sin ventilación. Hacerlo anulará la garantía.

### ⚠ ATTENTION

Les générateurs de vapeur doivent être situés à l'intérieur, à un endroit où la température est comprise entre 10 °C et 40 °C (50 °F – 104 °F). Les générateurs de vapeur NE DOIVENT PAS être installés à l'extérieur, à un endroit où ils peuvent être exposés à l'humidité ou au gel, ni à un endroit comme un grenier non ventilé où ils peuvent être exposés à une chaleur extrême. Un générateur de vapeur installé à un de ces endroits ne sera pas protégé par la garantie.

### Checklist

**Before starting, insure that the conditions of the following checklist have been met:**

- |   |   |
|---|---|
| <p><input type="checkbox"/> The proper size steam generator has been selected by using the sizing page in the full line brochure, pricing guide, configurator tool or the generator sizing guide in the residential system/steam bath product information section of the website-<a href="http://www.deltafaucet.com">www.deltafaucet.com</a></p> | <p><input type="checkbox"/> The steam generator is installed in an upright position.</p> <p><input type="checkbox"/> The proper sized 90° C copper wire and circuit breaker have been used.</p> <p><input type="checkbox"/> The circuit breaker is NOT a GFI (ground fault interrupter) type.</p> |
| <p><b>⚠ CAUTION</b><br/> An improperly sized Steam Generator will NOT produce the amount of steam necessary to reach selected temperature.</p>  |   |
| <p><input type="checkbox"/> The proper voltage steam generator has been selected. A 240 volt generator operating on 208 volts will have a 25% reduction in power and may require a larger generator.</p>  | <p><input type="checkbox"/> The steam generator is properly grounded.</p> <p><input type="checkbox"/> The circuit breaker or disconnect switch is on.</p> <p><input type="checkbox"/> Water supply is open to the steam generator.</p>  |

### Lista de Verificación

**Antes de comenzar, asegúrese de que se hayan cumplido las condiciones de la siguiente lista de verificación:**

- |   |   |
|---|---|
| <p><input type="checkbox"/> Se seleccionó el generador de vapor del tamaño adecuado utilizando la página de dimensionamiento en el folleto de la línea completa, la guía de precios, el configurador herramienta o la guía de dimensionamiento del generador en la sección de información del producto del sistema residencial/baño de vapor del sitio web-<a href="http://www.deltafaucet.com">www.deltafaucet.com</a></p> | <p><input type="checkbox"/> El generador de vapor se instala en posición vertical.</p> <p><input type="checkbox"/> Se han utilizado el cable de cobre de 90° C y el cortacircuitos del tamaño adecuado.</p> <p><input type="checkbox"/> El cortacircuitos NO es del tipo GFI (interruptor de falla a tierra).</p> |
| <p><b>⚠ ADVERTENCIA</b><br/> Un generador de vapor de tamaño inadecuado NO producirá la cantidad de vapor necesaria para alcanzar la temperatura seleccionada.</p>  |   |
| <p><input type="checkbox"/> Se ha seleccionado el generador de vapor de voltaje adecuado. Un generador de 240 voltios que funcione con 208 voltios tendrá una reducción del 25% en potencia y puede requerir un generador más grande.</p>   | <p><input type="checkbox"/> El generador de vapor está correctamente conectado a tierra.</p> <p><input type="checkbox"/> El cortacircuitos o interruptor de desconexión está encendido.</p> <p><input type="checkbox"/> El suministro de agua está abierto al generador de vapor.</p>                             |

### Liste de contrôle

**Avant de débiter, assurez-vous que les conditions énumérées dans la liste de vérification qui suit sont remplies.**

- |  |   |
|--|---|
| <p><input type="checkbox"/> Vous avez sélectionné un générateur de vapeur de la bonne puissance en consultant la page de caractéristiques de puissance dans la brochure complète, le guide des prix, l'outil de configuration ou le guide de sélection de la puissance du générateur. Ces documents se trouvent dans la section du site Web <a href="http://www.deltafaucet.com">www.deltafaucet.com</a> qui renferme de l'information sur les systèmes et les bains de vapeur résidentiels.</p> | <p><input type="checkbox"/> Le générateur est installé debout.</p> <p><input type="checkbox"/> Le générateur est raccordé avec un disjoncteur et un câble en cuivre du bon calibre homologués pour une température de 32 °C (90 °F).</p> <p><input type="checkbox"/> Le disjoncteur N'EST PAS un disjoncteur de fuite à la terre.</p> |
| <p><b>⚠ ATTENTION</b><br/> Un générateur de vapeur n'ayant pas les caractéristiques de puissance requises pourra NE PAS produire la quantité de vapeur nécessaire à l'atteinte de la température recherchée.</p>   |   |
| <p><input type="checkbox"/> Vous avez sélectionné un générateur de vapeur de la bonne tension. Faire fonctionner un générateur homologué pour une tension de 240 V sous une tension de 208 V entraînera une perte de puissance de 25 % et un générateur de vapeur plus puissant pourrait être requis.</p>  | <p><input type="checkbox"/> Le générateur de vapeur est mis à la terre correctement.</p> <p><input type="checkbox"/> Le disjoncteur ou le sectionneur est fermé.</p> <p><input type="checkbox"/> Le robinet du tuyau d'alimentation en eau du générateur de vapeur est ouvert.</p>  |

## Pre-Installation

- Proper electrical supply 240V: See rating label on Steam Generator and Chart on page 13. Determine proper size of wire, voltage, amperage, and phase for the Steam Generator. 90°C copper wire is required for generator connection.
- In-line fuse/circuit breaker required: Fuse/circuit breaker to be installed must be sized in accordance with chart on back page. Do NOT install a GFI (Ground Fault Interrupter) to this equipment (per article 210-8 in the National Electric Code).
- Route power supply cable to the location where the Steam Generator will be installed (before walls are closed).

## Electrical Rough-in

- Route appropriate power cable to the location the Steam Generator will be installed. If receptacle is desired, mount the box for the receptacle near the location of the Steam Generator.

**NOTE:** The plug and receptacle require a rating of no less than 250V and proper amperage. Refer to chart on page 13 for amperage rating. After the walls are complete, the Steam Generator and Control can be wired.

## Steam Generator Electrical Installation

### ⚠ WARNING

All power to the Steam Generator must be turned off during installation.

- Remove the two screws holding the electrical access cover and remove cover.
- Locate the supply line knockout. Mount proper strain relief into knockout hole.
- Strip back power cable's outer insulation jacket eight inches and insert into Steam Generator. Strip back insulation ½" from the three (3) incoming wires (two power and one ground).
- Connect incoming ground wire to fuse block and ground terminal.

### ⚠ WARNING

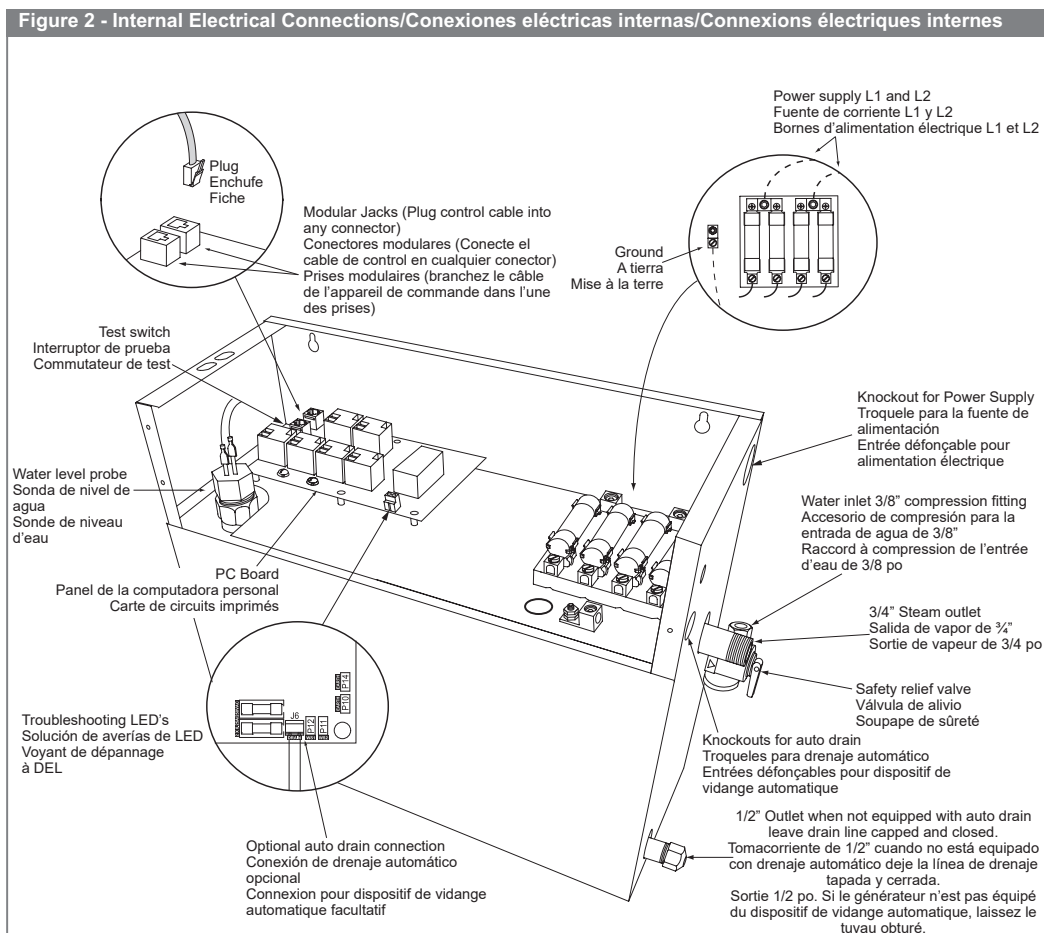
Be sure the ground wire does not come in contact with a live electrical part.

- Connect incoming power to terminals labeled "L1" and "L2" (see Figure 2).
- The steam generator is ready for operation once the installation of the controls is completed.

## Optional Auto Drain Valve Connection

**IMPORTANT:** Connect drain to indirect waste or as permitted by code. Do not connect the drain to the steam line.

- Open knockout for Auto Drain Valve conduit connection.
- Route flexible conduit from valve to knockout and secure.
- Connect two wires from valve to the J6 drain connection on the circuit board (see wiring diagram).



## Pre-Instalación

- Suministro eléctrico adecuado de 240 V: consulte la etiqueta de clasificación en el generador de vapor y la tabla en la página 13. Determine el tamaño adecuado del cable, el voltaje, el amperaje y la fase para el generador de vapor. Se requiere cable de cobre de 90°C para la conexión del generador.
- Se requiere fusible en-la-línea/cortacircuitos: El fusible/cortacircuitos que se instalará debe tener el tamaño de acuerdo con la tabla en la última página. NO instale un GFI (interruptor de falla a tierra) en este equipo (según el artículo 210-8 del Código Eléctrico Nacional).
- Dirija el cable de alimentación hasta el lugar donde se instalará el generador de vapor (antes de que se cierren las paredes).

## Instalación eléctrica

- Dirija el cable de la corriente adecuado hasta el lugar donde se instalará el generador de vapor. Si desea un receptáculo, monte la caja para el receptáculo cerca de la ubicación del generador de vapor.

**NOTA:** El enchufe y el receptáculo requieren una clasificación de no menos de 250 V y el amperaje adecuado. Consulte la tabla en la página 13 para conocer el amperaje nominal. Una vez que las paredes estén terminadas, se puede cablear el generador de vapor y el control.

## Instalación eléctrica del generador de vapor

### ⚠ ADVERTENCIA

Durante la instalación toda la electricidad al generador de vapor debe estar apagada.

- Retire los dos tornillos que sujetan la cubierta de acceso eléctrico y retire la cubierta.
- Localice el orificio ciego de la línea de suministro. Monte el alivio de tensión adecuado en el orificio ciego.
- Pele la funda de aislamiento exterior del cable de alimentación ocho pulgadas e insértela en el generador de vapor. Pele el aislamiento ½" de los tres (3) cables entrantes (dos de corriente y uno de tierra).
- Conecte el cable de tierra entrante al bloque de fusibles y al terminal de tierra.

### ⚠ ADVERTENCIA

Asegúrese de que el cable a tierra no entre en contacto con una parte eléctrica activa.

- Conecte la corriente entrante a los terminales etiquetados como "L1" y "L2" (vea la Figura 2).
- El generador de vapor está listo para funcionar una vez que se completa la instalación de los controles.

## Conexión de válvula de drenaje automático opcional

**IMPORTANTE:** Conecte el drenaje a un desagüe indirecto o según lo que permita el código. No conecte el drenaje a la línea de vapor.

- Abra el orificio ciego para la conexión del conducto de la válvula de drenaje automático.
- Dirija el conducto flexible desde la válvula hasta el orificio ciego y asegúrelo.
- Conecte dos cables de la válvula a la conexión de drenaje J6 en la placa de circuito (vea el diagrama de cableado).

## Avant l'installation

- Alimentation électrique adéquate de 240 V : Consultez la plaque signalétique sur le générateur de vapeur et le tableau à la page 13. Déterminez les caractéristiques de l'alimentation électrique requise pour le générateur de vapeur (calibre du câble, tension, intensité et phase). Un câble de cuivre homologué pour une température de 32 oC (90 oF) est requis pour le branchement du générateur de vapeur.
- Disjoncteur ou fusible de protection de ligne requis : Le disjoncteur ou le fusible doit être du calibre indiqué dans le tableau de la dernière page. ÉVITEZ d'installer un disjoncteur de fuite à la terre pour cet appareil (exigence de l'article 210-8 du National Electric Code).
- Faites courir le câble d'alimentation électrique jusqu'à l'endroit où le générateur de vapeur sera installé (avant que les murs soient fermés).

## Câblage électrique

- Faites courir un câble électrique adéquat jusqu'à l'endroit où le générateur de vapeur sera installé. Si l'installation d'une prise de courant est souhaitable, installez le boîtier de la prise près de l'endroit où se trouvera le générateur de vapeur.

**NOTE :** La prise et le boîtier doivent être homologués pour une tension de 250 V et l'intensité requise. Consultez le tableau de la page 13 pour ce qui est de l'intensité requise. Une fois que la construction des murs est terminée, le générateur de vapeur et l'appareil de commande peuvent être câblés.

## Branchement électrique du générateur de vapeur

### ⚠ AVERTISSEMENT

L'alimentation électrique du générateur de vapeur doit être interrompue entièrement pendant l'installation.

- Retirez les deux vis qui retiennent le couvercle d'accès aux composants électriques et enlevez le couvercle.
- Trouvez l'entrée défonçable pour le câble d'alimentation. Montez un serre-câble adéquat dans le trou de l'entrée défonçable.
- Retirez la gaine isolante extérieure du câble d'alimentation sur huit pouces et introduisez le câble dans le générateur de vapeur. Retirez l'isolant des trois (3) fils (deux fils d'alimentation et un fil de mise à la terre) sur ½ po.
- Raccordez le fil de mise à la terre au porte-fusibles et à la borne de mise à la terre.

### ⚠ AVERTISSEMENT

Assurez-vous que le fil de mise à la terre ne pourra pas entrer en contact avec une pièce sous tension.

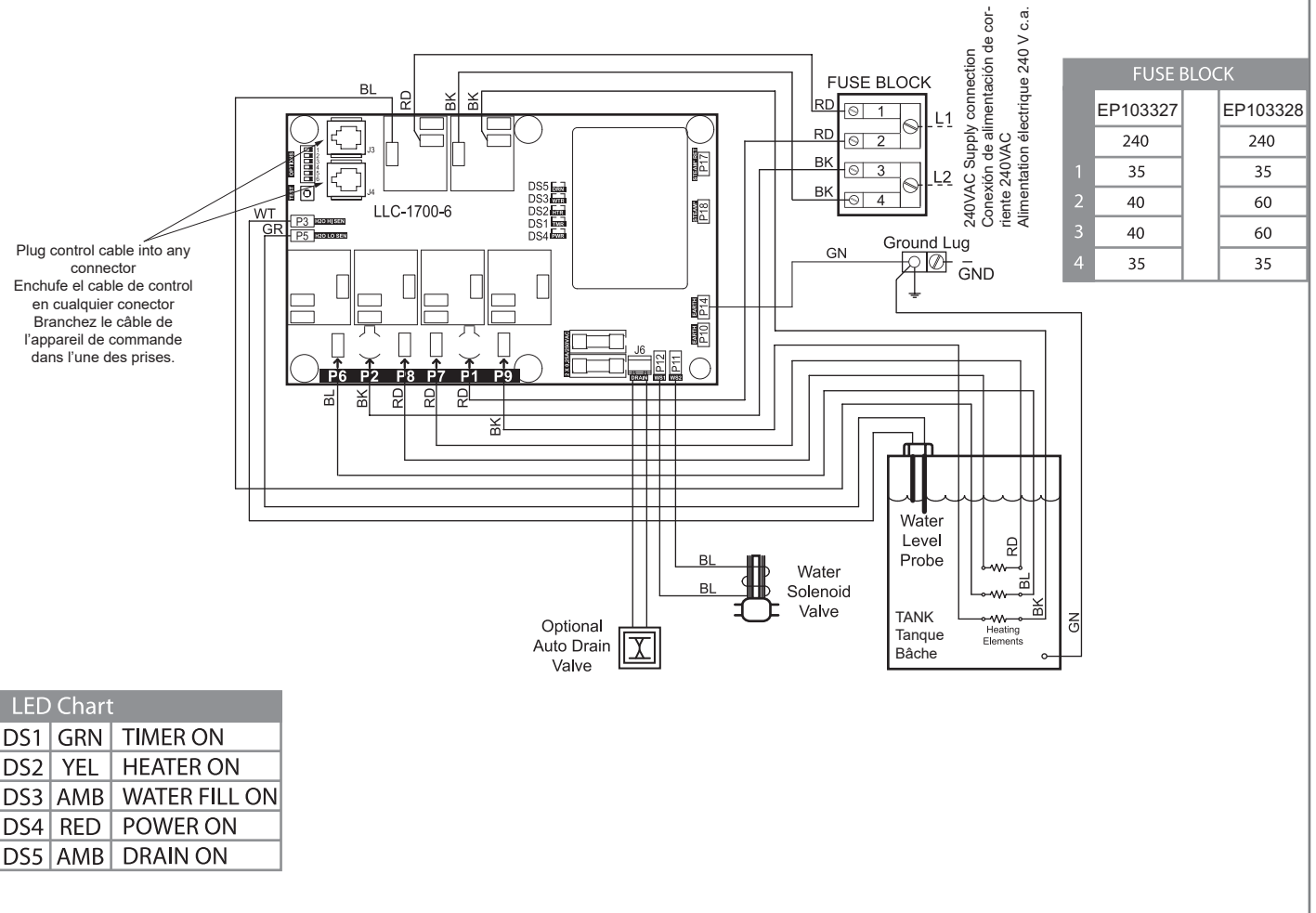
- Raccordez la source d'alimentation électrique aux bornes « L1 » et « L2 » (reportez-vous à la figure 2).
- Le générateur de vapeur est prêt à être utilisé lorsque l'installation des appareils de commande est terminée.

## Branchement du dispositif de vidange automatique facultatif

**IMPORTANT:** Raccordez le drain à une évacuation indirecte ou conformément au code. Ne raccordez pas le drain à la conduite de vapeur.

- Ouvrez l'entrée défonçable pour l'installation du conduit de l'électrovanne de vidange automatique.
- Faites courir le conduit flexible de l'électrovanne jusqu'à l'entrée défonçable et fixez-le.
- Raccordez les deux fils de l'électrovanne à la connexion J6 du dispositif de vidange automatique sur la carte de circuits imprimés (reportez-vous au schéma de câblage).

Figure 3 - Wiring Diagram/Diagrama de cableado/Schéma de câblage



Specification Chart/Tabla de especificaciones/Tableau des spécifications							
Model No. Modelo No. No de modèle	Max. Cu. Ft. for area up to Máx. Cu. Pie. por área hasta Nombre de pi3 max.	KW kW	Volt Voltio Volt	Phase Fase Phase	Amps Amperios Ampères	Breaker Size Tamaño del interruptor Calibre dis-joncteur	Min. Wire Size Tamaño mín. del cable Calibre câble
EP103327	550	12	240	1	50	60	4
EP103328	675	15	240	1	63	80	3

90° C copper wire is required for generator connection. Installation shall be in accordance with applicable electrical codes.  
Se requiere cable de cobre de 90°C para la conexión del generador. La instalación se realizará de acuerdo con los códigos eléctricos aplicables.  
Un câble en cuivre homologué pour une température de 32 °C (90 °F) est requis pour le branchement du générateur de vapeur conformément aux codes de l'électricité applicables.

**WARNING SIGN INSTALLATION/ INSTALACIÓN DE LA SEÑAL DE ADVERTENCIA/ INSTALLATION DU PANNEAU D'AVERTISSEMENT:**

**Residential use:**

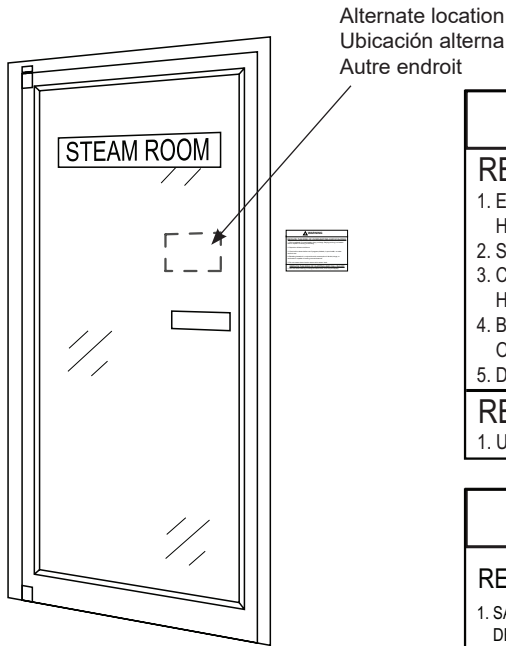
The temporary warning label is to be applied after installation on the steam room door or the wall immediately adjacent to the steam room. Contact us for a permanent sign as required for non-private residential installations.

**Usó residencial:**

La etiqueta de advertencia temporal debe colocarse después de la instalación en la puerta de la sala de vapor o en la pared inmediatamente adyacente a la sala de vapor. Contáctenos para una señal permanente como se requiere para instalaciones residenciales no privadas.

**Usage résidentiel :**

L'étiquette d'avertissement temporaire doit être apposée sur la porte de l'enceinte de vapeur ou sur le mur situé tout près de celle-ci après l'installation. Communiquez avec nous si vous souhaitez obtenir un écriteau permanent pour une installation résidentielle non privée.



Alternate location  
Ubicación alterna  
Autre endroit

<b>! WARNING</b>
<b>REDUCE THE RISK OF OVERHEATING AND SCALDING</b> 1. EXIT IMMEDIATELY IF UNCOMFORTABLE, DIZZY, OR SLEEPY. STAYING TOO LONG IN A HEATED AREA MAY CAUSE OVERHEATING. 2. SUPERVISE CHILDREN AT ALL TIMES. 3. CHECK WITH DOCTOR BEFORE USE IF PREGNANT, DIABETIC, IN POOR HEALTH, HAVE HIGH OR LOW BLOOD PRESSURE, HEART CONDITION OR UNDER MEDICAL CARE. 4. BREATHING HEATED AIR IN CONJUNCTION WITH CONSUMPTION OF ALCOHOL, DRUGS, OR MEDICATION MAY CAUSE UNCONSCIOUSNESS. 5. DO NOT CONTACT STEAM HEAD OR STEAM AT THE STEAM HEAD.
<b>REDUCE THE RISK OF SLIPPING AND FALL INJURY</b> 1. USE CARE WHEN ENTERING OR EXITING THE STEAM ROOM; FLOOR MAY BE SLIPPERY.

<b>! ADVERTENCIA</b>
<b>REDUCIR EL RIESGO DE SOBRECALENTAMIENTO Y ESCALDADURAS</b> 1. SALGA INMEDIATAMENTE SI SE SIENTE INCÓMODO, MAREADO O SOMNOLIENTO. PERMANECER DEMASIADO TIEMPO EN UN EL ÁREA CALENTADA PUEDE CAUSAR SOBRECALENTAMIENTO. 2. SUPERVISE A LOS NIÑOS EN TODO MOMENTO. 3. CONSULTE CON EL MÉDICO ANTES DE USAR SI ESTÁ EMBARAZADA, DIABÉTICA, EN MAL ESTADO DE SALUD, TIENE PRESIÓN ARTERIAL ALTA O BAJA, AFECCIÓN CARDÍACA O BAJO ATENCIÓN MÉDICA. 4. EL RESPIRAR AIRE CALIENTE JUNTO CON EL CONSUMO DE ALCOHOL, DROGAS O MEDICAMENTOS PUEDE CAUSAR PÉRDIDA DEL CONOCIMIENTO. 5. NO TOQUE EL CABEZAL DE VAPOR NI EL VAPOR QUE SALE DEL CABEZAL DE VAPOR.
<b>REDUZCA EL RIESGO DE LESIONES POR RESBALONES Y CAÍDAS</b> 1. TENGA CUIDADO AL ENTRAR Y SALIR DEL CUARTO DE VAPOR; EL PISO PUEDE ESTAR RESBALOSO.

<b>! AVERTISSEMENT</b>
<b>RÉDUISEZ LE RISQUE D'HYPERTHERMIE ET D'ÉBOUILLANTAGE</b> 1. SORTEZ IMMÉDIATEMENT SI VOUS ÉProuVEZ UN INCONFORT, VOUS AVEZ DES VERTIGES OU VOUS SOMNOLEZ. LE FAIT DE DEMEURER TROP LONGTEMPS DANS UN ENDROIT SURCHAUFFÉ PEUT ENTRAÎNER L'HYPERTHERMIE. 2. SUPERVISEZ LES ENFANTS EN TOUT TEMPS. 3. CONSULTEZ UN MÉDECIN AVANT L'UTILISATION SI VOUS ÊTES ENCEINTE, EN MAUVAISE SANTÉ, VOUS SOUFFREZ D'HYPOTENSION OU D'HYPERTENSION ARTÉRIELLE, VOUS AVEZ UNE CARDIOPATHIE OU VOUS RECEVEZ DES SOINS MÉDICAUX. 4. RESPIRER DE L'AIR SURCHAUFFÉ ALORS QU'ON SE TROUVE SOUS L'EFFET DE L'ALCOOL, DE LA DROGUE OU DE MÉDICAMENTS PEUT ENTRAÎNER UNE PERTE DE CONSCIENCE. 5. ÉVITEZ TOUT CONTACT AVEC LA TÊTE DE VAPEUR ET LA VAPEUR PRÈS DE CELLE-CI.
<b>RÉDUISEZ LE RISQUE DE BLESSURES CAUSÉES PAR LA PERTE D'ÉQUILIBRE ET UNE CHUTE</b> 1. FAITES PREUVE DE PRUDENCE EN ENTRANT DANS L'ENCEINTE DE VAPEUR ET EN SORTANT DE CELLE-CI; LE PLANCHER PEUT ÊTRE GLISSANT.

**WARNING:** To reduce the risk of injury:

1. Do not permit children to use this product unless they are closely supervised at all times.
2. The wet surfaces of steam enclosures may be slippery. Use care when entering or leaving.
3. The steam head is hot. Do not touch the steam head and avoid the steam near the steam head.
4. Prolonged use of the steam system can excessively raise the internal human body temperature and impair the body's ability to regulate its internal temperature (hyperthermia). Limit your use of steam to 10 – 15 minutes until you are certain of your body's reaction.
5. Excessive temperatures have a high potential for causing fetal damage during the early months of pregnancy. Pregnant or possibly pregnant women should consult a physician regarding before use.
6. Obese persons and persons with a history of heart disease, low or high blood pressure, circulatory system problems, or diabetes should consult a physician before using a steam bath.
7. Persons using medication should consult a physician before using a steam bath since some medication may induce drowsiness while other medications may affect heart rate, blood pressure and circulation.

#### **HYPERTHERMIA**

Hyperthermia occurs when the internal temperature of the body reaches a level several degrees above the normal body temperature of 98.6° F. The symptoms of hyperthermia include an increase in the internal temperature of the body, dizziness, lethargy, drowsiness, and fainting. Users with any of the following symptoms during or after use of the steam bath should seek medical care.

The effects of hyperthermia include:

1. Failure to perceive heat;
2. Failure to recognize the need to exit the steam bath;
3. Unawareness of impending risk;
4. Fetal damage in pregnant women;
5. Physical inability to exit the steam bath;
6. Unconsciousness

**WARNING:** The use of alcohol, drugs, or medication can greatly increase the risk of hyperthermia.

**ADVERTENCIA:** Para reducir el riesgo de lesión:

1. No permita que ningún niño use este producto a menos que esté supervisado en todo momento.
2. Las superficies mojadas del cerramiento de vapor podrían estar resbaladizas. Tenga cuidado al ingresar o salir.
3. El cabezal de vapor está caliente. No toque el cabezal de vapor y evite el vapor que está cerca del cabezal.
4. El uso prolongado del sistema de vapor puede subir excesivamente la temperatura interna del cuerpo humano y reducir su capacidad de regularla (hipertermia). Limite el uso de vapor a entre 10 y 15 minutos hasta conocer bien la reacción de su cuerpo.
5. Las temperaturas excesivas tienen un alto potencial de provocar daño fetal durante los primeros meses de embarazo. Las mujeres embarazadas o posiblemente embarazadas deben consultar con un médico antes de usar el producto.
6. Las personas obesas y las personas con antecedentes de enfermedades cardíacas, hipertensión o hipotensión arterial, problemas del sistema circulatorio o diabetes deben consultar con un médico antes de usar un baño de vapor.
7. Las personas que toman medicamentos deben consultar con un médico antes de usar un baño de vapor, ya que algunos medicamentos pueden provocar somnolencia, mientras que otros pueden afectar el ritmo cardíaco, la presión arterial y la circulación.

#### **HIPERTERMIA**

La hipertermia ocurre cuando la temperatura interna del cuerpo llega a un nivel de varios grados sobre la temperatura corporal normal de 98.6 °F. Los síntomas de la hipertermia incluyen un aumento de la temperatura interna del cuerpo, mareos, letargo, somnolencia y desvanecimiento. Los usuarios que tengan alguno de los siguientes síntomas durante el uso del baño de vapor o después deben buscar atención médica.

Los efectos de la hipertermia incluyen:

1. incapacidad de percibir calor;
2. incapacidad de reconocer la necesidad de salir del baño de vapor;
3. desconocimiento del riesgo inminente;
4. daño fetal en mujeres embarazadas;
5. incapacidad física para salir del baño de vapor; e
6. inconsciencia.

**ADVERTENCIA:** El uso de alcohol, drogas o medicamentos puede aumentar en gran medida el riesgo de hipertermia.

**AVERTISSEMENT –** Pour réduire le risque de blessures :

1. Ne laissez jamais des enfants utiliser ce produit sans supervision.
2. Les surfaces mouillées des enceintes de vapeur peuvent être glissantes. Soyez prudent(e) en entrant dans l'enceinte et en sortant de celle-ci.
3. La tête de vapeur est très chaude. Évitez tout contact avec la tête de vapeur et la vapeur près de celle-ci.
4. Une utilisation prolongée du bain de vapeur peut entraîner une élévation excessive de la température corporelle et nuire à la capacité de l'organisme de réguler sa température interne (hyperthermie). Limitez votre utilisation du bain de vapeur à une période de 10 à 15 minutes jusqu'à ce que vous sachiez comment votre organisme réagit.
5. Une température excessive risque fortement de causer du tort au fœtus au cours des premiers mois de la grossesse. Les femmes qui sont ou pourraient être enceintes doivent consulter un médecin avant d'utiliser un bain de vapeur.
6. Les personnes qui souffrent d'obésité, d'une cardiopathie, d'hypotension ou d'hypertension artérielle, de troubles circulatoires ou de diabète doivent consulter un médecin avant d'utiliser un bain de vapeur.
7. Les personnes médicamenteuses doivent consulter un médecin avant d'utiliser un bain de vapeur parce que certains médicaments peuvent causer la somnolence alors que d'autres peuvent avoir un effet sur le rythme cardiaque, la tension artérielle et la circulation sanguine.

#### **HYPERTHERMIE**

L'hyperthermie survient lorsque la température corporelle atteint un niveau supérieur de plusieurs degrés à la température corporelle normale de 37 °C (98,6 °F). Les symptômes de l'hyperthermie comprennent l'élévation de la température corporelle, les étourdissements, la léthargie, la somnolence et l'évanouissement. Tout utilisateur qui éprouve les symptômes décrits ci-après pendant ou après l'utilisation du bain de vapeur doit consulter un professionnel de la santé.

Les effets de l'hyperthermie sont les suivants :

1. L'incapacité de ressentir la chaleur.
2. L'incapacité de prendre conscience de la nécessité de sortir du bain de vapeur.
3. L'incapacité de prendre conscience du risque imminent.
4. Les effets néfastes sur le fœtus chez les femmes enceintes.
5. L'incapacité physique de sortir du bain de vapeur.
6. La perte de conscience.

**AVERTISSEMENT :** La consommation d'alcool, de drogues et de médicaments peut accroître fortement le risque d'hyperthermie.

**Limited Warranty on Delta® Steam Bath and Steam Shower Products**  
*Applicable to products purchased and installed in the USA and Canada*

**Residential Steam Bath Generators:** Delta Faucet Company (“DFC”) warrants to the original consumer purchaser that the parts (except for electronic parts) of its residential steam bath generator purchased from authorized Delta sellers will be free from defects in materials and workmanship for as long as the original consumer purchaser owns the home in which the steam bath was originally installed. This lifetime limited warranty does not apply to residential steam bath generators that are used in commercial applications (as defined herein).

**Residential Electronic Parts, Controls, Spa Options and Accessories:** DFC warrants to the original consumer purchaser that the electronic parts of its steam bath generator and its controls, spa options and accessories purchased from authorized Delta sellers will be free from defects in materials and workmanship for a period of two (2) years from the date that the product is received by the original consumer purchaser or their authorized representative (installation contractor, etc.). This two-year limited warranty does not apply to controls, spa options, electronic parts and accessories that are used in commercial applications (as defined herein).

**Commercial Warranty:** For the purposes of this warranty the term “commercial application” refers to installation in any setting in which the product is not being used for personal household use, including but not limited to hospitality applications, day spas, short-term and long-term rentals and gyms. DFC warrants that the parts (including electronic parts) of its steam bath generators (including steam bath generators with model numbers beginning with 5COM, which are intended solely for heavy commercial use), equipment, controls, electronic parts, spa options and accessories purchased from authorized Delta sellers and used in a commercial application will be free from defects in materials and workmanship for a period of one (1) year from the date that the product is received by the original purchaser or their authorized representative (installation contractor, etc.).

**What We Will Do:** DFC will, at its option, repair or replace, free of charge, any part that proves defective in material and/or workmanship under normal installation, use and service during the applicable warranty period as stated above. DFC may elect to refund the purchase price. Replacement parts are subject to availability and may differ from those originally supplied.

For residential applications, two (2) years following the date that the product was received by the original consumer purchaser or their authorized representative (installation contractor, etc.), and with prior approval by DFC, DFC will pay for labor for repair/replacement associated with warranty coverage. Thereafter, DFC will not pay for labor associated with removal/repair/replacement of products covered by this warranty.

For commercial applications, DFC will, with prior approval by DFC, pay for labor associated with warranty coverage for ninety (90) days from the date that the product is received by the original purchaser or their authorized representative (installation contractor, etc.). Thereafter, DFC will not pay for labor associated with removal/repair/replacement of products covered by this warranty. **These are the consumer's exclusive remedies.**

**What Is Not Covered:** Because DFC is unable to control the quality of Delta products sold by unauthorized sellers, unless otherwise prohibited by law, this warranty does not cover Delta products purchased from unauthorized sellers.

This warranty does not cover damage caused by improper or negligent installation or use. Provided that DFC is paying the cost of the labor under the terms above, this warranty does not cover repairs attempted by any person other than an authorized DFC agent and shall be limited to the repair or replacement of defective parts by DFC or its authorized agent.

**This warranty is void if any of the following should occur:**

- The use of the product for an unintended application, including the commercial application of a product that is not intended for commercial use.
- Failure to follow instructions, including care, cleaning and usage instructions, provided in the product's owner's manual.
- The product's serial number has been altered or removed.
- The product is modified in any manner which DFC concludes, after its inspection, affects the reliability of the product.
- The product has been improperly repaired by anyone not specifically designated or authorized by DFC.
- The product is damaged because it is not operated or installed in accordance with supplied instructions.
- The product is installed outdoors.
- The product is installed in a moist and/or humid area with unconditioned air or temperatures that exceed 104 degrees Fahrenheit.
- The product is damaged due to freezing.
- The product is damaged by acts of God.

**How to Make a Warranty Claim:** To obtain warranty repair or replacement, contact DFC at: 800-394-6478 or steam-prodserv@deltafaucet.com to receive an RGA# (Return Goods Authorization number) which must be on the carton that is returned via UPS Ground or equivalent. Proof of purchase (original sales receipt showing purchase date) identifying the model and serial number and documentation of the date of receipt of the product by the original purchaser or their authorized representative (installation contractor, etc.) must accompany all warranty claims.

**Limitation on Duration of Implied Warranties:** Please note that some states/provinces (including Quebec) do not allow limitations on how long an implied warranty lasts, so the below limitations may not apply to you. TO THE MAXIMUM EXTENT PERMITTED BY APPLICABLE LAW, ANY IMPLIED WARRANTY, INCLUDING THE IMPLIED WARRANTIES OF MERCHANTABILITY AND OF FITNESS FOR A PARTICULAR PURPOSE, IS LIMITED TO THE STATUTORY PERIOD OR THE DURATION OF THIS WARRANTY, WHICHEVER IS SHORTER.

**Limitation of Special, Incidental or Consequential Damages:** Please note that some states/provinces (including Quebec) do not allow the exclusion or limitation of special, incidental or consequential damages, so the below limitations and exclusions may not apply to you. TO THE MAXIMUM EXTENT PERMITTED BY APPLICABLE LAW, THIS WARRANTY DOES NOT COVER, AND DFC SHALL NOT BE LIABLE FOR, ANY SPECIAL, INCIDENTAL OR CONSEQUENTIAL DAMAGES WHETHER ARISING OUT OF BREACH OF ANY EXPRESS OR IMPLIED WARRANTY, BREACH OF CONTRACT, TORT, OR OTHERWISE.

**Additional Rights:** This warranty gives you specific legal rights, and you may also have other rights which vary from state/province to state/province. This is DFC's exclusive written warranty and the warranty is not transferable.

**Garantía limitada de los productos Delta® Steam Bath y Steam Shower**  
*Aplicable a productos comprados e instalados en EE. UU. y Canadá*

**Generadores de baños de vapor residenciales:** Delta Faucet Company ("DFC") garantiza al comprador consumidor original que las partes (excepto las partes electrónicas) de su generador de baño de vapor residencial comprado a vendedores autorizados de Delta estarán libres de defectos en materiales y de fabricación durante el tiempo que el comprador consumidor original es dueño de la casa en la que se instaló originalmente el baño de vapor. Esta garantía limitada de por vida no se aplica a los generadores de baños de vapor residenciales que se utilizan en aplicaciones comerciales (como se define en este documento).

**Piezas electrónicas residenciales, controles, opciones de spa y accesorios:** DFC garantiza al comprador consumidor original que las partes electrónicas de su generador de baño de vapor y sus controles, opciones de spa y accesorios comprados a vendedores autorizados de Delta estarán libres de defectos en materiales y de fabricación durante un período de dos (2) años a partir de la fecha que el producto es recibido por el comprador consumidor original o su representante autorizado (contratista de instalación, etc.). Esta garantía limitada de dos años no se aplica a los controles, las opciones de spa, las piezas electrónicas y los accesorios que se utilizan en aplicaciones comerciales (como se define en este documento).

**Garantía Comercial:** A los efectos de esta garantía, el término "aplicación comercial" se refiere a la instalación en cualquier entorno en el que el producto no se utilice para uso doméstico personal, incluidas, entre otras, aplicaciones de hospitalidad, spas de día y servicios a corto y largo plazo, alquileres a plazo y gimnasios. DFC garantiza que las piezas (incluidas las piezas electrónicas) de sus generadores de baños de vapor (incluidos los generadores de baños de vapor con números de modelo que comienzan con 5COM, que están destinados únicamente para un uso comercial pesado), los equipos, controles, piezas electrónicas, opciones de spa y accesorios comprados a vendedores autorizados de Delta y utilizados en una aplicación comercial estarán libres de defectos de materiales y mano de obra durante un período de un (1) año a partir de la fecha en que el comprador original o su representante autorizado (contratista de instalación, etc.) recibió el producto.

**Lo que haremos:** DFC, a su elección, reparará o reemplazará, sin cargo, cualquier pieza que presente defectos de material y/o de fabricación en condiciones normales de instalación, uso y servicio durante el período de garantía aplicable como se indicó anteriormente. DFC puede optar por reembolsar el precio de compra. Las piezas de repuesto están sujetas a disponibilidad y pueden ser diferentes a las suministradas originalmente.

Para aplicaciones residenciales, dos (2) años a partir de la fecha en que el producto fue recibido por el comprador consumidor original o su representante autorizado (contratista de instalación, etc.), y con la aprobación previa de DFC, DFC pagará la mano de obra para la reparación/reemplazo asociada con la cobertura de la garantía. A partir de entonces, DFC no pagará la mano de obra asociada con la extracción/reparación/reemplazo de los productos cubiertos por esta garantía.

Para aplicaciones comerciales, DFC, con la aprobación previa de DFC, pagará la mano de obra asociada con la cobertura de la garantía durante noventa (90) días a partir de la fecha en que el comprador original o su representante autorizado (contratista de instalación, etc.) reciba el producto. A partir de entonces, DFC no pagará la mano de obra asociada con la extracción/reparación/reemplazo de los productos cubiertos por esta garantía. **Estos son recursos exclusivos del consumidor.**

**Lo que no está cubierto:** Debido a que DFC no puede controlar la calidad de los productos DFC vendidos por vendedores no autorizados, a menos que la ley lo prohíba, esta garantía no cubre los productos DFC comprados a vendedores no autorizados.

Esta garantía no cubre los daños causados por una instalación o uso inadecuado o negligente. Siempre que DFC pague el costo de la mano de obra según los términos anteriores, esta garantía no cubre las reparaciones intentadas por cualquier persona que no sea un agente autorizado de DFC y se limitará a la reparación o reemplazo de piezas defectuosas por parte de DFC o su agente autorizado.

**Esta garantía queda anulada si ocurre cualquiera de lo siguiente:**

- El uso del producto para una aplicación no prevista, incluida una aplicación de un producto que no está destinado para uso comercial.
- No seguir las instrucciones, incluidas las instrucciones de cuidado, limpieza y uso, proporcionadas en el manual del propietario del producto.
- El número de serie del producto ha sido alterado o eliminado.
- El producto se modifica de cualquier manera que DFC concluya, después de su inspección, que afecta la confiabilidad del producto.
- El producto ha sido reparado incorrectamente por alguien que no ha sido específicamente designado o autorizado por DFC.
- El producto está dañado porque no se operó o instaló de acuerdo con las instrucciones proporcionadas.
- El producto está instalado al aire libre.
- El producto está instalado en un área húmeda y/o húmeda con aire no acondicionado o temperaturas que exceden los 104 grados Fahrenheit.
- El producto está dañado debido a la congelación.
- El producto está dañado por fuerza mayor.

**Cómo hacer un reclamo de garantía:** Para obtener reparación o reemplazo en garantía, comuníquese con Delta al: 800-355-6478 o [steam-prodserv@deltafaucet.com](mailto:steam-prodserv@deltafaucet.com) para recibir un RGA# (Número de autorización de devolución de mercancías) que debe estar en la caja que se devuelve a través de UPS Ground o el equivalente. El comprobante de compra (recibo de compra original que muestre la fecha de compra) que identifique el modelo y el número de serie y la documentación de la fecha de recepción del producto por parte del comprador original o su representante autorizado (contratista de instalación, etc.) debe acompañar todos los reclamos de garantía.

**Limitación de la duración de las garantías implícitas:** Tenga en cuenta que algunos estados/provincias (incluido Quebec) no permiten limitaciones sobre la duración de una garantía implícita, por lo que es posible que las siguientes limitaciones no se apliquen en su caso. EN LA MEDIDA MÁXIMA PERMITIDA POR LA LEY APLICABLE, CUALQUIER GARANTÍA IMPLÍCITA, INCLUIDAS LAS GARANTÍAS IMPLÍCITAS DE COMERCIABILIDAD E IDONEIDAD PARA UN FIN DETERMINADO, SE LIMITA AL PERÍODO LEGAL O A LA DURACIÓN DE ESTA GARANTÍA, EL QUE SEA MÁS BREVE.

**Limitación de daños especiales, incidentales o consecuentes:** Tenga en cuenta que algunos estados/provincias (incluido Quebec) no permiten la exclusión o limitación de daños especiales, incidentales o consecuentes, por lo que es posible que las siguientes limitaciones y exclusiones no se apliquen en su caso. EN LA MEDIDA MÁXIMA PERMITIDA POR LA LEY APLICABLE, ESTA GARANTÍA NO CUBRE, Y DFC NO SERÁ RESPONSABLE DE NINGÚN DAÑO ESPECIAL, INCIDENTAL O CONSECUENTE QUE SURJA DEL INCUMPLIMIENTO DE CUALQUIER GARANTÍA EXPLÍCITA O IMPLÍCITA, INCUMPLIMIENTO DE CONTRATO, AGRAVIO O DE OTRA MANERA.

**Derechos adicionales:** Esta garantía le otorga derechos legales específicos, y es posible que también tenga otros derechos que varían de un estado/provincia a otro estado/provincia. Esta es la garantía escrita exclusiva de Delta y la garantía no es transferible.

**Garantie limitée des douches à vapeur et des bains de vapeur Delta®**  
*Applicable aux produits achetés et installés aux États-Unis et au Canada*

**Générateurs pour bain de vapeur résidentiel:** Delta Faucet Company (« DFC ») garantit à l'acheteur au détail initial que les pièces (sauf les pièces électroniques) de ce générateur pour bain de vapeur résidentiel achetées de vendeurs Delta autorisés sont exemptes de matériaux défectueux et de vices de fabrication. Cette garantie à vie limitée est valide aussi longtemps que l'acheteur au détail initial possède la maison dans laquelle le bain de vapeur a été installé. Elle ne s'applique pas aux générateurs pour bain de vapeur résidentiels utilisés dans des applications commerciales (définies dans le présent document).

**Pièces électroniques, commandes, options de spa et accessoires résidentiels:** DFC garantit à l'acheteur au détail initial que les pièces électroniques de son générateur pour bain de vapeur ainsi que les commandes, les options de spa et les accessoires achetés de vendeurs Delta autorisés seront exemptes de matériaux défectueux et de vices de fabrication pendant une période de deux (2) ans calculée à compter de la date de réception du produit par l'acheteur au détail initial ou son représentant autorisé (entrepreneur chargé de l'installation, etc.). Cette garantie limitée de deux ans ne s'applique pas aux commandes, aux options de spa, aux pièces électroniques et aux accessoires qui sont utilisés dans des applications commerciales (définies dans le présent document).

**Garantie pour les applications commerciales:** Dans le libellé de la présente garantie, « applications commerciales » désigne toute installation dans des lieux où le produit n'est pas utilisé par un ménage, y compris, sans s'y limiter, les lieux d'accueil, les spas de jour, les lieux d'hébergement loués à court et à long termes ainsi que les salles de conditionnement physique.  
DFC garantit que les pièces (y compris les pièces électroniques) de ses générateurs pour bain de vapeur (y compris les générateurs pour bain de vapeur dont le numéro de modèle débute par 5COM), l'équipement, les commandes, les pièces électroniques, les options de spa et les accessoires achetés de vendeurs Delta autorisés et utilisés dans des applications commerciales seront exemptes de matériaux défectueux et de vices de fabrication pendant une période d'un (1) an calculée à compter de la date de réception du produit par l'acheteur initial ou son représentant autorisé (entrepreneur chargé de l'installation, etc.).

**Ce que nous ferons:** À sa discrétion, DFC réparera ou remplacera, sans frais, toute pièce ayant été installée, utilisée et entretenue normalement qui comportera un matériau défectueux et/ou présentera un vice de fabrication pendant la période de garantie susmentionnée. DFC pourra décider de rembourser le prix d'achat. Les pièces de rechange seront fournies sous réserve de leur disponibilité et elles pourront être différentes de celles fournies initialement.

Dans le cas des applications résidentielles, au cours de la période de deux (2) ans qui suivra la réception du produit par l'acheteur au détail initial ou son représentant autorisé (entrepreneur chargé de l'installation, etc.) et sous réserve de l'approbation au préalable de DFC, DFC paiera la main-d'œuvre pour la réparation ou le remplacement des produits aux termes de la garantie. Par la suite, DFC ne paiera pas la main-d'œuvre nécessaire pour la dépose et la réparation ou le remplacement des produits couverts par la présente garantie.

Dans le cas des applications commerciales, DFC paiera, sous réserve de l'approbation au préalable de DFC, la main-d'œuvre associée à la couverture de la garantie pendant une période de quatre-vingt-dix (90) jours calculée à compter de la date de réception du produit par l'acheteur initial ou son représentant autorisé (entrepreneur chargé de l'installation, etc.). Par la suite, DFC ne paiera pas la main-d'œuvre nécessaire pour la dépose et la réparation ou le remplacement des produits couverts par la présente garantie. **Il s'agit des seuls recours du consommateur.**

**Ce qui n'est pas couvert:** Étant donné que DFC est incapable de contrôler la qualité des produits vendus par des vendeurs non autorisés, la présente garantie ne couvre pas les produits Delta vendus par des vendeurs non autorisés, à moins qu'une telle restriction soit interdite par la loi.

La présente garantie ne couvre pas les dommages causés par une installation ou une utilisation inappropriée ou négligente. Étant donné que DFC paie le coût de la main-d'œuvre selon les modalités susmentionnées, la présente garantie ne couvre pas les réparations effectuées par une personne autre qu'un agent autorisé DFC et elle se limite à la réparation ou au remplacement des pièces défectueuses par DFC ou son agent autorisé.

**La présente garantie ne s'applique pas dans l'une ou l'autre des circonstances suivantes :**

- L'utilisation du produit pour une application à laquelle il n'est pas destiné, y compris une application commerciale si le produit n'est pas destiné à un usage commercial.
- L'omission de respecter les instructions, notamment les instructions d'entretien, de nettoyage et d'utilisation, contenues dans le manuel du propriétaire du produit.
- Le numéro de série a été altéré ou effacé.
- Le produit a été modifié d'une manière quelconque qui, de l'avis de DFC, après inspection du produit, compromet la fiabilité de celui-ci.
- Le produit a été réparé incorrectement par une personne quelconque qui n'est pas désignée ou autorisée expressément par DFC.
- Le produit est endommagé parce qu'il n'a pas été installé conformément aux instructions fournies.
- Le produit est installé à l'extérieur.
- Le produit est installé dans un environnement humide et l'air n'est pas climatisé ou la température excède 40 degrés Celsius (104 degrés Fahrenheit).
- Le produit a été endommagé par le gel.
- Le produit a été endommagé en raison d'un acte fortuit.

**Comment faire une réclamation aux termes de la garantie:** Pour faire réparer ou remplacer le produit aux termes de la garantie, communiquez avec DFC au 800-394-6478 ou à [steam-prodserv@deltafaucet.com](mailto:steam-prodserv@deltafaucet.com) afin d'obtenir un numéro d'autorisation de retour qui devra se trouver dans l'emballage retourné par l'intermédiaire de UPS Ground ou l'équivalent. La preuve d'achat (original du reçu montrant la date d'achat) indiquant le modèle et le numéro de série ainsi que la documentation indiquant la date de réception par l'acheteur initial ou son représentant autorisé (entrepreneur chargé de l'installation, etc.) doivent accompagner toutes les réclamations aux termes de la garantie.

**Limitation de la durée des garanties implicites:** Veuillez noter qu'il est interdit dans certains États et certaines provinces (y compris le Québec) de limiter la durée d'une garantie implicite. Par conséquent, les limites mentionnées ci-dessous peuvent ne pas s'appliquer à vous. **DANS LA MESURE DE CE QUI EST PERMIS PAR LA LOI APPLICABLE, TOUTES LES GARANTIES IMPLICITES, Y COMPRIS LE GARANTIES IMPLICITES DE QUALITÉ MARCHANDE ET D'ADÉQUATION À UN USAGE PARTICULIER, SE LIMITENT À LA PÉRIODE FIXÉE PAR LA LOI OU À LA DURÉE DE LA PRÉSENTE GARANTIE, LA PLUS COURTE DES DEUX PÉRIODES S'APPLIQUANT.**

**Limitation des dommages particuliers, consécutifs ou indirects:** Veuillez noter qu'il est interdit dans certains États et certaines provinces (y compris le Québec) d'exclure ou de limiter les dommages particuliers, consécutifs ou indirects. Par conséquent, les exclusions et les limites mentionnées ci-dessous peuvent ne pas s'appliquer à vous. **DANS LA MESURE DE CE QUI EST PERMIS PAR LE DROIT APPLICABLE, DFC SE DÉGAGE DE TOUTE RESPONSABILITÉ À L'ÉGARD DES DOMMAGES PARTICULIERS, CONSÉCUTIFS OU INDIRECTS, PEU IMPORTE QU'ILS DÉCOULENT D'UNE RUPTURE D'UNE GARANTIE IMPLICITE OU EXPLICITE, D'UNE RUPTURE DE CONTRAT, D'UN DÉLIT CIVIL OU D'UNE AUTRE CAUSE, ET CES DOMMAGES NE SONT PAS COUVERTS PAR LA GARANTIE.**

**Droits supplémentaires:** La présente garantie vous procure des droits particuliers reconnus par la loi. Vous pouvez aussi avoir d'autres droits qui varient selon l'État ou la province. La présente garantie écrite est la seule garantie offerte par DFC et elle n'est pas transférable.









see what Delta can do™

Model Number: \_\_\_\_\_  
Número del modelo  
Numéro de modèle

Date of Purchase: \_\_\_\_\_  
Fecha de compra  
Date d'achat

Register Online  
Regístrese en línea  
S'enregistrer en ligne  
[www.deltafaucet.com/service-parts/product-registration](http://www.deltafaucet.com/service-parts/product-registration)

113375



X00113375

5P-EST SERIES & EP103305▲  
5P-ESR SERIES & EP104503▲  
STEAMBATH CONTROL INSTRUCTIONS

INSTRUCCIONES PARA EL CONTROL  
DEL BAÑO DE VAPOR

5P-EST SERIES Y EP103305▲  
5P-ESR SERIES Y EP104503▲

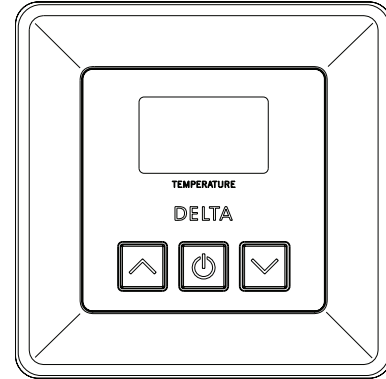
INSTRUCTIONS CONCERNANT  
L'APPAREIL DE COMMANDE POUR BAIN DE  
VAPEUR

5P-EST SERIES ET EP103305▲  
5P-ESR SERIES ET EP104503▲

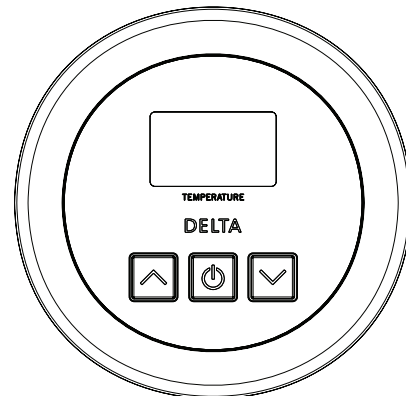
To reference replacement parts and access additional technical documents and product info, visit [www.deltafaucet.com/service-parts](http://www.deltafaucet.com/service-parts)

Para referencia sobre las piezas de repuesto y acceder a documentos técnicos adicionales e información del producto, visite [www.deltafaucet.com/service-parts](http://www.deltafaucet.com/service-parts)

Pour obtenir la référence des pièces de rechange ainsi que pour avoir accès à d'autres documents techniques et renseignements sur le produit, allez à [www.deltafaucet.com/service-parts](http://www.deltafaucet.com/service-parts)



5P-EST SERIES & EP103305▲



5P-ESR SERIES & EP104503▲



1-800-394-6478

[www.deltafaucet.com/service-parts/contact-us/](http://www.deltafaucet.com/service-parts/contact-us/)

Read all instructions prior to installation.

**CAUTION**

Failure to read these instructions prior to installation may result in personal injury, property damage, or product failure. Manufacturer assumes no responsibility for product failure due to improper installation.

Lea todas las instrucciones antes de hacer la instalación.

**ADVERTENCIA**

El no leer estas instrucciones de instalación puede resultar en lesiones personales, daños a la propiedad, o falla en el funcionamiento del producto. El fabricante no asume ninguna responsabilidad por la falla del producto debido a una instalación incorrecta.

Veillez lire toutes les instructions avant l'installation.

**AVERTISSEMENT**

L'omission de lire les présentes instructions avant l'installation peut entraîner des blessures, des dommages matériels ou le bris du produit. Le fabricant se dégage de toute responsabilité à l'égard d'un bris du produit causé par une mauvaise installation.



**IMPORTANT:** "Steam bath important safety instructions" publication 114317 includes a warning label that the contractor must install on the wall near the entrance to the steam room in a highly visible location.

This label and its additional safety information are packaged with the generator packaging containing the installation instructions. If it is lost or missing contact: *customer support (1-800-394-6478)* for replacement instructions. This publication, along with all, documents must be left with the owner.



**IMPORTANTE:** La publicación 114317 "Instrucciones importantes de seguridad para baños de vapor" incluye una etiqueta de advertencia que el contratista debe instalar en la pared cerca de la entrada del baño de vapor en un lugar bien visible. Esta etiqueta y su información de seguridad adicional se incluyen con el paquete del generador que contiene las instrucciones de instalación. Si se pierde o falta, comuníquese con: atención al cliente (1-800-394-6478) para obtener instrucciones de reemplazo. Esta publicación junto con todos los documentos debe dejarse con el propietario.



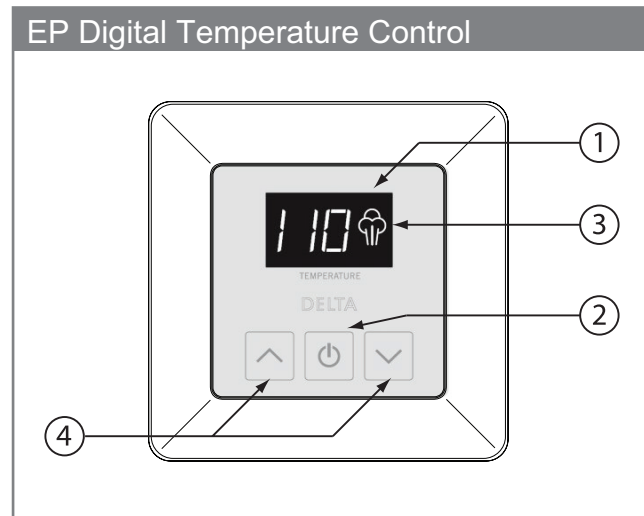
**IMPORTANT :** Le document 114317 intitulé « Instructions de sécurité importantes concernant le bain de vapeur » inclut une étiquette d'avertissement que l'entrepreneur doit apposer sur le mur près de l'entrée de l'enceinte de vapeur à un endroit bien à la vue. Cette étiquette et les feuillets sur lesquels figurent des renseignements de sécurité supplémentaires se trouvent dans l'emballage du générateur qui renferme les instructions d'installation. Si les instructions ont été perdues ou sont manquantes, communiquez avec le Service à la clientèle (1-800-394-6478) pour en obtenir d'autres. Ce document ainsi que tous les autres documents doivent être remis au propriétaire.

## Control Features

- 1. Temperature Display:** Indicates steam room or set point temperature.
- 2. On/Off Button:** Press keypad and generator will begin producing steam in a few minutes. The generator will remain on for 30 minutes. Pressing the keypad a second time will stop the steam generator.
- 3. Steam Icon:** Indicates the generator is producing steam when illuminated. The heater in the generator and the steam icon on the control will cycle on and off as the temperature is maintained automatically in the steam room.
- 4. Up/Down Buttons:** Press to adjust the temperature set point.

**IMPORTANT:** This control must be installed inside the steam room for proper operation of the system.

**Cleaning instructions:** Use a damp cloth and mild soap. Do NOT use abrasive cleaners which might scratch the surface or the base of the control.



## Funciones para el control

- 1. Pantalla de temperatura:** Indica la temperatura de la sala de vapor o del punto de ajuste.
- 2. Botones de encendido/apagado:** presione el teclado y el generador comenzará a producir vapor en unos minutos. El generador permanecerá encendido durante 30 minutos. El oprimir el teclado por segunda vez detendrá el generador de vapor.
- 3. Icono de vapor:** indica que el generador está produciendo vapor cuando está iluminado. El calentador en el generador y el ícono de vapor se encenderán y se apagarán ya que la temperatura se mantiene automáticamente en la sala de vapor.
- 4. Botón Arriba/Abajo:** Presiónelo para ajustar el punto de referencia de la temperatura.

**IMPORTANTE:** Este control debe instalarse dentro de la sala de vapor para el funcionamiento correcto del sistema.

**Instrucciones para la limpieza:** use un paño húmedo y jabón suave. NO use limpiadores abrasivos que puedan rayar la superficie o la base del control.

## Caractéristiques de l'appareil de commande

- 1. Écran d'affichage de la température :** Indique la température dans l'enceinte de vapeur ou le point de consigne.
- 2. Bouton Marche/Arrêt :** Appuyez sur la touche et le générateur commence à produire de la vapeur après quelques minutes. Le générateur demeure en marche pendant 30 minutes. Pour arrêter le générateur de vapeur, appuyez sur la touche une seconde fois.
- 3. Icône vapeur :** Indique que le générateur produit de la vapeur lorsqu'elle est allumée. Le dispositif de chauffage dans le générateur se met en marche et s'éteint automatiquement pour maintenir la température de consigne dans l'enceinte de vapeur. Son fonctionnement est indiqué par l'icône vapeur qui s'allume et s'éteint.
- 4. Bouton à flèche ascendante et bouton à flèche descendante :** Appuyez sur ces boutons pour régler la température de consigne.

**IMPORTANT :** L'appareil de commande doit être installé dans l'enceinte de vapeur pour que le système fonctionne bien.

**Instructions de nettoyage :** Utilisez un chiffon humide et du savon doux. ÉVITEZ d'utiliser des nettoyeurs abrasifs qui pourraient égratigner la surface ou la base de l'appareil de commande.

# 1

## Installation Instalación Installation

### 1. Pre-Installation - Control Location

- a. The EP103305 & EP104603 or 5P-EST & 5P-ESR Series Control must be installed inside the steam room. For convenience the recommended height from the floor is four feet. Provide a 1 1/2" hole in the wall at this location (see Figure 2). Mount control near the seating area on the opposite or adjacent wall from the steam head. The control and steam head should be as far apart as possible and NOT above or not within 4' to the right or left of the steam head.

**IMPORTANT:** Multi-conductor cable must be installed so that the end will not be buried inside the wall. The unit will not operate unless the control is installed.

### 2. Electrical Rough-in

- a. Remove the multi-conductor cable from the control packing box. Carefully route the multi-conductor control cable from the steam generator to the EP103305 & EP104603 or 5P-EST & 5P-ESR Series Control located inside the steam room. (See Figure 2 and Figure 3). Route multi-conductor cable through a 3/4" conduit to protect the cable from damage and to facilitate replacement if necessary.

### 3. Control and Cable Installation

- a. Locate the previously installed cable and black plastic strain relief clamp which is in the control packing box. Locate the knockout (2) on the steam generator for the control cable (see Figure 3).
- b. Place strain relief around cable, about 7" from the end and insert into hole.
- c. Connect the cable to the modular jack (3).
- d. Close and secure generator cover.
- e. Locate modular jack and female coupler (4), on back of the EP103305 & EP104603 or 5P-EST & 5P-ESR Series Control. Plug cable into jack. Check that the orientation of the plug properly aligns with the jack. A snap will indicate the plug is installed correctly. (See Figure 2).

### ⚠ WARNING

Test the control for operation before continuing on to the next step.

- f. Peel adhesive liner from back of the control. Apply the control to the wall. Press firmly and hold for a few seconds.
- g. After the control is in place, apply silicone (supplied) around the control to form a watertight seal.

Figure 2

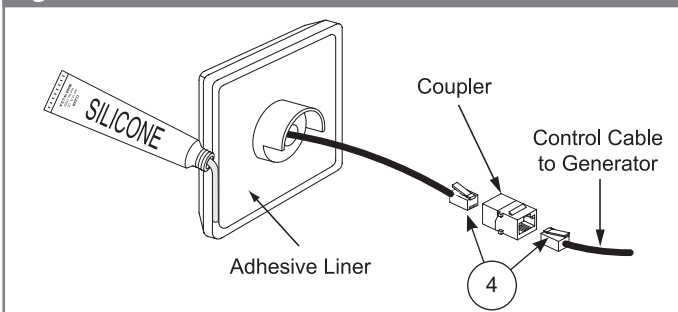
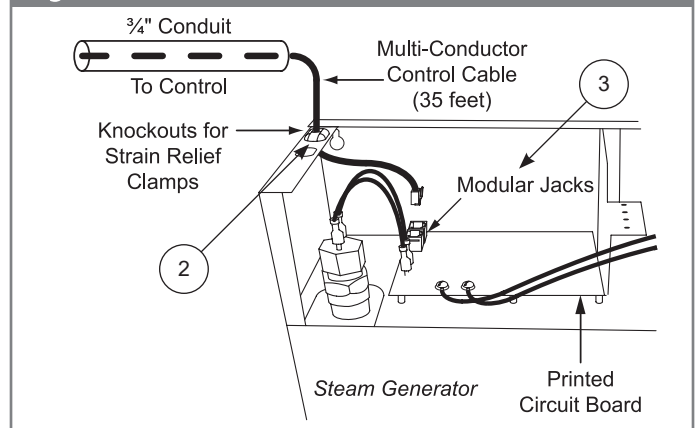


Figure 3



### 1. Preinstalación: ubicación del control

- a. El control de la serie EP103305 & EP104603 o 5P-EST & 5P-ESR debe instalarse dentro de la sala de vapor. Para mayor comodidad, la altura recomendada desde el suelo es de cuatro pies. Proporcione un orificio de 1 1/2" en la pared en este lugar (vea la Figura 2). Monte el control cerca del área de asientos en el lado opuesto o adyacente de la pared del cabezal de vapor. El control y el cabezal de vapor deben estar lo más separados posible y NO por encima ni a menos de 4 pies a la derecha o a la izquierda del cabezal de vapor.

**IMPORTANTE:** El cable multiconductor debe instalarse de modo que el extremo no quede enterrado dentro de la pared. La unidad no funcionará a menos que el control esté instalado.

### 2. Montaje eléctrico

- a. Retire el cable multiconductor de la caja de empaque del control. Dirija con cuidado el cable de control multiconductor desde el vapor generador al control de la serie EP103305 & EP104603 o 5P-EST & 5P-ESR ubicado dentro de la sala de vapor. (Ver Figura 2 y Figura 3). Pase el cable multiconductor a través de un conducto de 3/4" para proteger el cable de daños y facilitar el repuesto si es necesario.

### 3. Instalación de cables y del control

- a. Localice el cable instalado previamente y la abrazadera de sujeción de plástico negro que se encuentran en la caja de embalaje del control. Localice la abertura (2) en el generador de vapor para el cable de control (véase la Figura 3).
- b. Coloque el alivio de tensión alrededor del cable, aproximadamente a 7" del extremo e insértelo en el orificio.
- c. Conecte el cable al conector modular.
- d. Cierre y asegure la tapa del generador.
- e. Ubique el conector modular y el acoplador hembra en la parte posterior del control de la serie EP103305 & EP104603 o 5P-EST & 5P-ESR. Enchufe el cable en el conector. Asegúrese que la orientación del enchufe se alinea correctamente con el enchufe. Un chasquido indicará que el enchufe está instalado correctamente. (Ver Figura 2).

#### ADVERTENCIA

Pruebe el funcionamiento del control antes de continuar con el siguiente paso.

- f. Despegue el forro adhesivo en la parte posterior del control. Aplique el control a la pared. Presione firmemente y mantenga presionado durante unos segundos.
- g. Una vez que el control esté en su lugar, aplique silicona (suministrada) alrededor del control para formar un sello hermético.

### 1. Avant l'installation – Emplacement de l'appareil de commande

- a. L'appareil de commande de la série EP103305 & EP104603 ou 5P-EST & 5P-ESR doit être installé à l'intérieur de l'enceinte de vapeur. Idéalement, il doit se trouver à quatre pieds au-dessus du plancher. Faites un trou de 1 ½ po dans le mur à cet endroit (reportez-vous à la figure 2). Montez l'appareil de commande près de l'endroit pour s'asseoir, sur le mur opposé ou adjacent à celui où se trouve la tête de vapeur. L'appareil de commande et la tête de vapeur doivent être aussi éloignés l'un de l'autre que possible. De plus, l'appareil de commande NE DOIT PAS se trouver au-dessus de la tête de vapeur ni à moins de 4 pieds de celle-ci du côté droit et du côté gauche.

**IMPORTANT :** Le câble multiconductor doit être installé de manière que son extrémité ne soit pas à l'intérieur du mur. L'appareil de commande est essentiel au fonctionnement du bain de vapeur

### 2. Câblage électrique

- a. Retirez le câble multiconductor de l'emballage de l'appareil de commande. Faites-le ensuite courir soigneusement entre le générateur de vapeur et l'appareil de commande de la série EP103305 & EP104603 ou 5P-EST & 5P-ESR situé à l'intérieur de l'enceinte de vapeur (reportez-vous aux figures 2 et 3). Faites courir le câble multiconductor dans un conduit de 3/4 po pour le protéger et pour faciliter son remplacement au besoin.

### 3. Installation de l'appareil de commande et du câble

- a. Repérez le câble précédemment installé et la bride de fixation en plastique noir qui se trouvent dans la boîte d'emballage du boîtier de commande. Repérez l'orifice prédécoupé (2) sur le générateur de vapeur pour le passage du câble de commande (voir figure 3).
- b. Placez le serre-câble autour du câble à environ 7 pouces de l'extrémité et introduisez le câble ainsi que le serre-câble dans le trou.
- c. Branchez le câble dans la prise modulaire.
- d. Fermez le couvercle du générateur et immobilisez-le.
- e. Trouvez le coupleur à prises modulaires à l'endos de l'appareil de commande de la série EP103305 & EP104603 ou 5P-EST & 5P-ESR. Branchez le câble dans la prise modulaire. Prenez soin de bien orienter la fiche par rapport à la prise modulaire. Un claquement indique que la fiche est branchée correctement (reportez-vous à la figure 2).

#### AVERTISSEMENT

Vérifiez le fonctionnement de l'appareil de commande avant de passer à l'étape suivante.

- f. Retirez la pellicule qui recouvre la surface adhésive à l'endos de l'appareil de commande. Placez l'appareil de commande contre le mur et appuyez fermement sur celui-ci en maintenant la pression pendant quelques secondes.
- g. Une fois que l'appareil de commande est en place, appliquez du composé d'étanchéité à la silicone (fourni) autour de celui-ci pour former un joint étanche.

# 2

## Operating Instructions Instrucciones para el funcionamiento Instructions d'utilisation

**Operation:** Make sure the water and power are turned on. Simply press the On/Off button on the control to begin the previously programmed cycle. Pressing the On/Off button a second time will cancel the cycle. After a cycle is started it will take a few minutes for the steam generator to heat up and begin producing steam. During operation the display will show the ambient temperature. The heat icon will cycle on and off as the temperature is maintained.

**Programming:** Adjustments can be made to the temperature control while the system is on. Any time the temperature is displayed it can be adjusted by simply pressing the up or down button. All changes made to the temperature control are stored in memory until changed again. The temperature is 50° F to 125° F (10° C to 51° C).

**Operación:** Asegúrese de que el agua y la corriente eléctrica estén abiertas. Simplemente presione el botón de encendido/apagado en el control para comenzar el ciclo previamente programado. Al presionar el botón de encendido/apagado por segunda vez cancelará el ciclo. Después de iniciar un ciclo, el generador de vapor tardará unos minutos en calentarse y comenzar a producir vapor. Durante el funcionamiento, la pantalla mostrará la temperatura ambiente. El icono de calor se encenderá y apagará a medida que se mantenga la temperatura.

**Programación:** Se pueden hacer ajustes al control de temperatura mientras el sistema está encendido o apagado. En cualquier momento que se muestra la temperatura se puede ajustar simplemente presionando el botón arriba o abajo. Todos los cambios realizados en el control de temperatura se almacenan en la memoria hasta que se vuelvan a cambiar. La temperatura es de 50° F a 125° F (10° C a 51° C).

**Fonctionnement :** Assurez-vous que le robinet d'alimentation en eau est ouvert et que le système est sous tension. Appuyez simplement sur le bouton MARCHE/ARRÊT de l'appareil de commande pour amorcer le cycle programmé antérieurement. Vous pouvez appuyer sur le bouton une seconde fois pour annuler le cycle. Une fois que le cycle a été amorcé, il faut quelques minutes pour que le générateur de vapeur atteigne sa température de fonctionnement et commence à produire de la vapeur. Pendant le fonctionnement, l'écran d'affichage indique la température ambiante. L'icône de chauffage s'allume et s'éteint pendant que le dispositif de chauffage maintient la température.

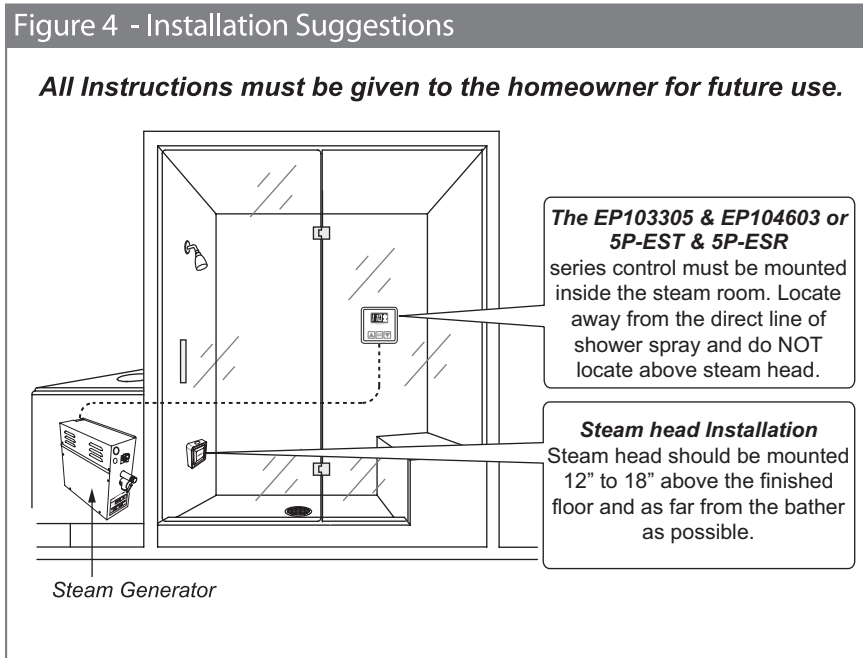
**Programmation :** Il est possible de régler la température pendant que le système est en marche ou arrêté. La température est affichée dans les deux cas. Il suffit d'appuyer sur le bouton à flèche ascendante ou le bouton à flèche descendante. Tous les réglages de température sont conservés en mémoire jusqu'à ce qu'ils soient modifiés. La plage de températures est comprise entre 50 °F et 125 °F (10 °C et 51 °C).

## Additional Features Características adicionales Fonctionnalités supplémentaires

**Memory:** The temperature set point is retained even if there is a power failure.

**Fahrenheit/Celsius:** The temperature display may be changed to Fahrenheit or Celsius by simultaneously pressing and holding the up and down button for 5 seconds while the system is off. The display will show the current setting "F" or "C" and then alternate when the change is complete.

**Error Messages:** This control is programmed with a diagnostic feature to isolate potential problems. Error codes: E0, E1, E2, E3 – indicates internal control error. Please contact the manufacturer. E4, E5, E6 – indicates a communication error between the user control and steam generator. To narrow down the issue, unplug the user control from the wall and bring it to the steam generator. Next unplug the user control cable from circuit board and plug control directly into the generator. Turn the control on, while directly plugged in to determine if it powers up. If yes, inspect the control cable for damage, debris or corrosion at the contacts. If the control is still displaying an error code while directly plugged into the generator, contact the manufacturer for further assistance.



**Memoria:** El punto de ajuste de temperatura se conserva incluso si hay una falla de energía.

**Fahrenheit/Celsius:** la pantalla de temperatura se puede cambiar a Fahrenheit o Celsius presionando y manteniendo presionadas simultáneamente las teclas arriba y abajo durante 5 segundos mientras el sistema está apagado. La pantalla mostrará la configuración actual "F" o "C" y luego alternará cuando se complete el cambio.

**Mensajes de error:** este control está programado con una función de diagnóstico para ayudar a aislar cualquier problema potencial. Los mensajes de error E0, E1, E2, E3 indican un problema o un corto en el cable de control. Si ocurre este error, verifique que ambos extremos del cable de control tengan conexiones limpias, secas y seguras. Los contactos sucios se pueden limpiar con alcohol y un bastoncillo de algodón o un cepillo de dientes. E3, E4 y E6 indica un error de llenado de agua, esto indica que el sistema no está detectando el nivel correcto de agua, asegúrese de que el fluido de agua esté abierto y que la pantalla de entrada de agua no esté obstruida. E5, E6 indica un error en la sonda de nivel de agua, retire la sonda del nivel de agua (apagada) y revise los extremos metálicos para ver si hay acumulación de minerales, límpielos y vuelva a armarlos. También chequee la polaridad adecuada de las sondas, si están cruzadas estos errores ocurrirán.

**Mémoire :** La température de consigne est conservée même en cas de panne de courant.

**Fahrenheit/Celsius :** Il est possible de passer d'une échelle de température à l'autre (Fahrenheit ou Celsius) en appuyant simultanément sur le bouton à flèche ascendante et le bouton à flèche descendante, puis en les maintenant enfoncés pendant 5 secondes alors que le système est arrêté. L'écran affiche l'échelle qui était utilisée (« F » ou « C »), puis l'autre échelle une fois que le changement a été effectué.

**Messages d'erreur :** Cet appareil de commande comporte une fonction de diagnostic qui facilite le dépannage. Les codes d'erreur E0, E1 et E2, E3 révèlent la présence d'un problème ou d'un court-circuit dans le câble de l'appareil de commande. Si ce code d'erreur s'affiche, assurez-vous que les connexions aux deux extrémités du câble de l'appareil de commande sont propres, sèches et bien serrées. Des contacts sales peuvent être nettoyés avec de l'alcool et un cure-oreille ou une brosse à dents. Les codes d'erreur E3, E4 et E6 révèlent la présence d'un problème en lien avec l'alimentation en eau. Plus précisément, ces codes indiquent que le système ne reçoit pas le signal de niveau d'eau requis. Assurez-vous que le robinet d'alimentation en eau est ouvert et que le filtre métallique dans l'entrée d'eau n'est pas obstrué. Les codes E5 et E6 indiquent une défectuosité de la sonde de niveau d'eau. Retirez la sonde (alors que le système est hors tension) et, s'il y a des minéraux accumulés à ses extrémités, nettoyez-la, puis remettez-la en place. Vérifiez également la polarité. Ces codes d'erreur peuvent être produits par une inversion de polarité.

## Limited Warranty on Delta® Steam Bath and Steam Shower Products

*Applicable to products purchased and installed in the USA and Canada*

**Residential Steam Bath Generators:** Delta Faucet Company ("DFC") warrants to the original consumer purchaser that the parts (except for electronic parts) of its residential steam bath generator purchased from authorized Delta sellers will be free from defects in materials and workmanship for as long as the original consumer purchaser owns the home in which the steam bath was originally installed. This lifetime limited warranty does not apply to residential steam bath generators that are used in commercial applications (as defined herein).

**Residential Electronic Parts, Controls, Spa Options and Accessories:** DFC warrants to the original consumer purchaser that the electronic parts of its steam bath generator and its controls, spa options and accessories purchased from authorized Delta sellers will be free from defects in materials and workmanship for a period of two (2) years from the date that the product is received by the original consumer purchaser or their authorized representative (installation contractor, etc.). This two-year limited warranty does not apply to controls, spa options, electronic parts and accessories that are used in commercial applications (as defined herein).

**Commercial Warranty:** For the purposes of this warranty the term "commercial application" refers to installation in any setting in which the product is not being used for personal household use, including but not limited to hospitality applications, day spas, short-term and long-term rentals and gyms. DFC warrants that the parts (including electronic parts) of its steam bath generators (including steam bath generators with model numbers beginning with 5COM, which are intended solely for heavy commercial use), equipment, controls, electronic parts, spa options and accessories purchased from authorized Delta sellers and used in a commercial application will be free from defects in materials and workmanship for a period of one (1) year from the date that the product is received by the original purchaser or their authorized representative (installation contractor, etc.).

**What We Will Do:** DFC will, at its option, repair or replace, free of charge, any part that proves defective in material and/or workmanship under normal installation, use and service during the applicable warranty period as stated above. DFC may elect to refund the purchase price. Replacement parts are subject to availability and may differ from those originally supplied.

For residential applications, two (2) years following the date that the product was received by the original consumer purchaser or their authorized representative (installation contractor, etc.), and with prior approval by DFC, DFC will pay for labor for repair/replacement associated with warranty coverage. Thereafter, DFC will not pay for labor associated with removal/repair/replacement of products covered by this warranty.

For commercial applications, DFC will, with prior approval by DFC, pay for labor associated with warranty coverage for ninety (90) days from the date that the product is received by the original purchaser or their authorized representative (installation contractor, etc.). Thereafter, DFC will not pay for labor associated with removal/repair/replacement of products covered by this warranty. **These are the consumer's exclusive remedies.**

**What Is Not Covered:** Because DFC is unable to control the quality of Delta products sold by unauthorized sellers, unless otherwise prohibited by law, this warranty does not cover Delta products purchased from unauthorized sellers.

This warranty does not cover damage caused by improper or negligent installation or use. Provided that DFC is paying the cost of the labor under the terms above, this warranty does not cover repairs attempted by any person other than an authorized DFC agent and shall be limited to the repair or replacement of defective parts by DFC or its authorized agent.

**This warranty is void if any of the following should occur:**

- The use of the product for an unintended application, including the commercial application of a product that is not intended for commercial use.
- Failure to follow instructions, including care, cleaning and usage instructions, provided in the product's owner's manual.
- The product's serial number has been altered or removed.
- The product is modified in any manner which DFC concludes, after its inspection, affects the reliability of the product.
- The product has been improperly repaired by anyone not specifically designated or authorized by DFC.
- The product is damaged because it is not operated or installed in accordance with supplied instructions.
- The product is installed outdoors.
- The product is installed in a moist and/or humid area with unconditioned air or temperatures that exceed 104 degrees Fahrenheit.
- The product is damaged due to freezing.
- The product is damaged by acts of God.

**How to Make a Warranty Claim:** To obtain warranty repair or replacement, contact DFC at: 800-394-6478 or steam-prodserv@deltafaucet.com to receive an RGA# (Return Goods Authorization number) which must be on the carton that is returned via UPS Ground or equivalent. Proof of purchase (original sales receipt showing purchase date) identifying the model and serial number and documentation of the date of receipt of the product by the original purchaser or their authorized representative (installation contractor, etc.) must accompany all warranty claims.

**Limitation on Duration of Implied Warranties:** Please note that some states/provinces (including Quebec) do not allow limitations on how long an implied warranty lasts, so the below limitations may not apply to you. TO THE MAXIMUM EXTENT PERMITTED BY APPLICABLE LAW, ANY IMPLIED WARRANTY, INCLUDING THE IMPLIED WARRANTIES OF MERCHANTABILITY AND OF FITNESS FOR A PARTICULAR PURPOSE, IS LIMITED TO THE STATUTORY PERIOD OR THE DURATION OF THIS WARRANTY, WHICHEVER IS SHORTER.

**Limitation of Special, Incidental or Consequential Damages:** Please note that some states/provinces (including Quebec) do not allow the exclusion or limitation of special, incidental or consequential damages, so the below limitations and exclusions may not apply to you. TO THE MAXIMUM EXTENT PERMITTED BY APPLICABLE LAW, THIS WARRANTY DOES NOT COVER, AND DFC SHALL NOT BE LIABLE FOR, ANY SPECIAL, INCIDENTAL OR CONSEQUENTIAL DAMAGES WHETHER ARISING OUT OF BREACH OF ANY EXPRESS OR IMPLIED WARRANTY, BREACH OF CONTRACT, TORT, OR OTHERWISE.

**Additional Rights:** This warranty gives you specific legal rights, and you may also have other rights which vary from state/province to state/province. This is DFC's exclusive written warranty and the warranty is not transferable.

© 2023 Masco Corporation of Indiana

**Garantía limitada de los productos Delta® Steam Bath y Steam Shower**  
*Aplicable a productos comprados e instalados en EE. UU. y Canadá*

**Generadores de baños de vapor residenciales:** Delta Faucet Company ("DFC") garantiza al comprador consumidor original que las partes (excepto las partes electrónicas) de su generador de baño de vapor residencial comprado a vendedores autorizados de Delta estarán libres de defectos en materiales y de fabricación durante el tiempo que el comprador consumidor original es dueño de la casa en la que se instaló originalmente el baño de vapor. Esta garantía limitada de por vida no se aplica a los generadores de baños de vapor residenciales que se utilizan en aplicaciones comerciales (como se define en este documento).

**Piezas electrónicas residenciales, controles, opciones de spa y accesorios:** DFC garantiza al comprador consumidor original que las partes electrónicas de su generador de baño de vapor y sus controles, opciones de spa y accesorios comprados a vendedores autorizados de Delta estarán libres de defectos en materiales y de fabricación durante un período de dos (2) años a partir de la fecha que el producto es recibido por el comprador consumidor original o su representante autorizado (contratista de instalación, etc.). Esta garantía limitada de dos años no se aplica a los controles, las opciones de spa, las piezas electrónicas y los accesorios que se utilizan en aplicaciones comerciales (como se define en este documento).

**Garantía Comercial:** A los efectos de esta garantía, el término "aplicación comercial" se refiere a la instalación en cualquier entorno en el que el producto no se utilice para uso doméstico personal, incluidas, entre otras, aplicaciones de hospitalidad, spas de día y servicios a corto y largo plazo, alquileres a plazo y gimnasios. DFC garantiza que las piezas (incluidas las piezas electrónicas) de sus generadores de baños de vapor (incluidos los generadores de baños de vapor con números de modelo que comienzan con 5COM, que están destinados únicamente para un uso comercial pesado), los equipos, controles, piezas electrónicas, opciones de spa y accesorios comprados a vendedores autorizados de Delta y utilizados en una aplicación comercial estarán libres de defectos de materiales y mano de obra durante un período de un (1) año a partir de la fecha en que el comprador original o su representante autorizado (contratista de instalación, etc.) recibió el producto.

**Lo que haremos:** DFC, a su elección, reparará o reemplazará, sin cargo, cualquier pieza que presente defectos de material y/o de fabricación en condiciones normales de instalación, uso y servicio durante el período de garantía aplicable como se indicó anteriormente. DFC puede optar por reembolsar el precio de compra. Las piezas de repuesto están sujetas a disponibilidad y pueden ser diferentes a las suministradas originalmente. Para aplicaciones residenciales, dos (2) años a partir de la fecha en que el producto fue recibido por el comprador consumidor original o su representante autorizado (contratista de instalación, etc.), y con la aprobación previa de DFC, DFC pagará la mano de obra para la reparación/reemplazo asociada con la cobertura de la garantía. A partir de entonces, DFC no pagará la mano de obra asociada con la extracción/reparación/reemplazo de los productos cubiertos por esta garantía. Para aplicaciones comerciales, DFC, con la aprobación previa de DFC, pagará la mano de obra asociada con la cobertura de la garantía durante noventa (90) días a partir de la fecha en que el comprador original o su representante autorizado (contratista de instalación, etc.) reciba el producto. A partir de entonces, DFC no pagará la mano de obra asociada con la extracción/reparación/reemplazo de los productos cubiertos por esta garantía. **Estos son recursos exclusivos del consumidor.**

**Lo que no está cubierto:** Debido a que DFC no puede controlar la calidad de los productos DFC vendidos por vendedores no autorizados, a menos que la ley lo prohíba, esta garantía no cubre los productos DFC comprados a vendedores no autorizados. Esta garantía no cubre los daños causados por una instalación o uso inadecuado o negligente. Siempre que DFC pague el costo de la mano de obra según los términos anteriores, esta garantía no cubre las reparaciones intentadas por cualquier persona que no sea un agente autorizado de DFC y se limitará a la reparación o reemplazo de piezas defectuosas por parte de DFC o su agente autorizado.

**Esta garantía queda anulada si ocurre cualquiera de lo siguiente:**

- El uso del producto para una aplicación no prevista, incluida una aplicación de un producto que no está destinado para uso comercial.
- No seguir las instrucciones, incluidas las instrucciones de cuidado, limpieza y uso, proporcionadas en el manual del propietario del producto.
- El número de serie del producto ha sido alterado o eliminado.
- El producto se modifica de cualquier manera que DFC concluya, después de su inspección, que afecta la confiabilidad del producto.
- El producto ha sido reparado incorrectamente por alguien que no ha sido específicamente designado o autorizado por DFC.
- El producto está dañado porque no se operó o instaló de acuerdo con las instrucciones proporcionadas.
- El producto está instalado al aire libre.
- El producto está instalado en un área húmeda y/o húmeda con aire no acondicionado o temperaturas que exceden los 104 grados Fahrenheit.
- El producto está dañado debido a la congelación.
- El producto está dañado por fuerza mayor.

**Cómo hacer un reclamo de garantía:** Para obtener reparación o reemplazo en garantía, comuníquese con Delta al: 800-355-6478 o [steam-prodserv@deltafaucet.com](mailto:steam-prodserv@deltafaucet.com) para recibir un RGA# (Número de autorización de devolución de mercancías) que debe estar en la caja que se devuelve a través de UPS Ground o el equivalente. El comprobante de compra (recibo de compra original que muestre la fecha de compra) que identifique el modelo y el número de serie y la documentación de la fecha de recepción del producto por parte del comprador original o su representante autorizado (contratista de instalación, etc.) debe acompañar todos los reclamos de garantía.

**Limitación de la duración de las garantías implícitas:** Tenga en cuenta que algunos estados/provincias (incluido Quebec) no permiten limitaciones sobre la duración de una garantía implícita, por lo que es posible que las siguientes limitaciones no se apliquen en su caso. EN LA MEDIDA MÁXIMA PERMITIDA POR LA LEY APLICABLE, CUALQUIER GARANTÍA IMPLÍCITA, INCLUIDAS LAS GARANTÍAS IMPLÍCITAS DE COMERCIABILIDAD E IDONEIDAD PARA UN FIN DETERMINADO, SE LIMITA AL PERÍODO LEGAL O A LA DURACIÓN DE ESTA GARANTÍA, EL QUE SEA MÁS BREVE.

**Limitación de daños especiales, incidentales o consecuentes:** Tenga en cuenta que algunos estados/provincias (incluido Quebec) no permiten la exclusión o limitación de daños especiales, incidentales o consecuentes, por lo que es posible que las siguientes limitaciones y exclusiones no se apliquen en su caso. EN LA MEDIDA MÁXIMA PERMITIDA POR LA LEY APLICABLE, ESTA GARANTÍA NO CUBRE, Y DFC NO SERÁ RESPONSABLE DE NINGÚN DAÑO ESPECIAL, INCIDENTAL O CONSECUENTE QUE SURJA DEL INCUMPLIMIENTO DE CUALQUIER GARANTÍA EXPLÍCITA O IMPLÍCITA, INCUMPLIMIENTO DE CONTRATO, AGRAVIO O DE OTRA MANERA.

**Derechos adicionales:** Esta garantía le otorga derechos legales específicos, y es posible que también tenga otros derechos que varían de un estado/provincia a otro estado/provincia. Esta es la garantía escrita exclusiva de Delta y la garantía no es transferible.

**Garantie limitée des douches à vapeur et des bains de vapeur Delta®**  
*Applicable aux produits achetés et installés aux États-Unis et au Canada*

**Générateurs pour bain de vapeur résidentiel:** Delta Faucet Company (« DFC ») garantit à l'acheteur au détail initial que les pièces (sauf les pièces électroniques) de ce générateur pour bain de vapeur résidentiel achetées de vendeurs Delta autorisés sont exemptes de matériaux défectueux et de vices de fabrication. Cette garantie à vie limitée est valide aussi longtemps que l'acheteur au détail initial possède la maison dans laquelle le bain de vapeur a été installé. Elle ne s'applique pas aux générateurs pour bain de vapeur résidentiels utilisés dans des applications commerciales (définies dans le présent document).

**Pièces électroniques, commandes, options de spa et accessoires résidentiels:** DFC garantit à l'acheteur au détail initial que les pièces électroniques de son générateur pour bain de vapeur ainsi que les commandes, les options de spa et les accessoires achetés de vendeurs Delta autorisés seront exemptes de matériaux défectueux et de vices de fabrication pendant une période de deux (2) ans calculée à compter de la date de réception du produit par l'acheteur au détail initial ou son représentant autorisé (entrepreneur chargé de l'installation, etc.). Cette garantie limitée de deux ans ne s'applique pas aux commandes, aux options de spa, aux pièces électroniques et aux accessoires qui sont utilisés dans des applications commerciales (définies dans le présent document).

**Garantie pour les applications commerciales:** Dans le libellé de la présente garantie, « applications commerciales » désigne toute installation dans des lieux où le produit n'est pas utilisé par un ménage, y compris, sans s'y limiter, les lieux d'accueil, les spas de jour, les lieux d'hébergement loués à court et à long termes ainsi que les salles de conditionnement physique. DFC garantit que les pièces (y compris les pièces électroniques) de ses générateurs pour bain de vapeur (y compris les générateurs pour bain de vapeur dont le numéro de modèle débute par 5COM), l'équipement, les commandes, les pièces électroniques, les options de spa et les accessoires achetés de vendeurs Delta autorisés et utilisés dans des applications commerciales seront exemptes de matériaux défectueux et de vices de fabrication pendant une période d'un (1) an calculée à compter de la date de réception du produit par l'acheteur initial ou son représentant autorisé (entrepreneur chargé de l'installation, etc.).

**Ce que nous ferons:** À sa discrétion, DFC réparera ou remplacera, sans frais, toute pièce ayant été installée, utilisée et entretenue normalement qui comportera un matériau défectueux et/ou présentera un vice de fabrication pendant la période de garantie susmentionnée. DFC pourra décider de rembourser le prix d'achat. Les pièces de rechange seront fournies sous réserve de leur disponibilité et elles pourront être différentes de celles fournies initialement.

Dans le cas des applications résidentielles, au cours de la période de deux (2) ans qui suivra la réception du produit par l'acheteur au détail initial ou son représentant autorisé (entrepreneur chargé de l'installation, etc.) et sous réserve de l'approbation au préalable de DFC, DFC paiera la main-d'œuvre pour la réparation ou le remplacement des produits aux termes de la garantie. Par la suite, DFC ne paiera pas la main-d'œuvre nécessaire pour la dépose et la réparation ou le remplacement des produits couverts par la présente garantie.

Dans le cas des applications commerciales, DFC paiera, sous réserve de l'approbation au préalable de DFC, la main-d'œuvre associée à la couverture de la garantie pendant une période de quatre-vingt-dix (90) jours calculée à compter de la date de réception du produit par l'acheteur initial ou son représentant autorisé (entrepreneur chargé de l'installation, etc.). Par la suite, DFC ne paiera pas la main-d'œuvre nécessaire pour la dépose et la réparation ou le remplacement des produits couverts par la présente garantie. **Il s'agit des seuls recours du consommateur.**

**Ce qui n'est pas couvert:** Étant donné que DFC est incapable de contrôler la qualité des produits vendus par des vendeurs non autorisés, la présente garantie ne couvre pas les produits Delta vendus par des vendeurs non autorisés, à moins qu'une telle restriction soit interdite par la loi.

La présente garantie ne couvre pas les dommages causés par une installation ou une utilisation inappropriée ou négligente. Étant donné que DFC paie le coût de la main-d'œuvre selon les modalités susmentionnées, la présente garantie ne couvre pas les réparations effectuées par une personne autre qu'un agent autorisé DFC et elle se limite à la réparation ou au remplacement des pièces défectueuses par DFC ou son agent autorisé.

**La présente garantie ne s'applique pas dans l'une ou l'autre des circonstances suivantes :**

- L'utilisation du produit pour une application à laquelle il n'est pas destiné, y compris une application commerciale si le produit n'est pas destiné à un usage commercial.
- L'omission de respecter les instructions, notamment les instructions d'entretien, de nettoyage et d'utilisation, contenues dans le manuel du propriétaire du produit.
- Le numéro de série a été altéré ou effacé.
- Le produit a été modifié d'une manière quelconque qui, de l'avis de DFC, après inspection du produit, compromet la fiabilité de celui-ci.
- Le produit a été réparé incorrectement par une personne quelconque qui n'est pas désignée ou autorisée expressément par DFC.
- Le produit est endommagé parce qu'il n'a pas été installé conformément aux instructions fournies.
- Le produit est installé à l'extérieur.
- Le produit est installé dans un environnement humide et l'air n'est pas climatisé ou la température excède 40 degrés Celsius (104 degrés Fahrenheit).
- Le produit a été endommagé par le gel.
- Le produit a été endommagé en raison d'un acte fortuit.

**Comment faire une réclamation aux termes de la garantie:** Pour faire réparer ou remplacer le produit aux termes de la garantie, communiquez avec DFC au 800-394-6478 ou à [steam-prodserv@deltafaucet.com](mailto:steam-prodserv@deltafaucet.com) afin d'obtenir un numéro d'autorisation de retour qui devra se trouver dans l'emballage retourné par l'intermédiaire de UPS Ground ou l'équivalent. La preuve d'achat (original du reçu montrant la date d'achat) indiquant le modèle et le numéro de série ainsi que la documentation indiquant la date de réception par l'acheteur initial ou son représentant autorisé (entrepreneur chargé de l'installation, etc.) doivent accompagner toutes les réclamations aux termes de la garantie.

**Limitation de la durée des garanties implicites:** Veuillez noter qu'il est interdit dans certains États et certaines provinces (y compris le Québec) de limiter la durée d'une garantie implicite. Par conséquent, les limites mentionnées ci-dessous peuvent ne pas s'appliquer à vous. **DANS LA MESURE DE CE QUI EST PERMIS PAR LA LOI APPLICABLE, TOUTES LES GARANTIES IMPLICITES, Y COMPRIS LE GARANTIES IMPLICITES DE QUALITÉ MARCHANDE ET D'ADÉQUATION À UN USAGE PARTICULIER, SE LIMITENT À LA PÉRIODE FIXÉE PAR LA LOI OU À LA DURÉE DE LA PRÉSENTE GARANTIE, LA PLUS COURTE DES DEUX PÉRIODES S'APPLIQUANT.**

**Limitation des dommages particuliers, consécutifs ou indirects:** Veuillez noter qu'il est interdit dans certains États et certaines provinces (y compris le Québec) d'exclure ou de limiter les dommages particuliers, consécutifs ou indirects. Par conséquent, les exclusions et les limites mentionnées ci-dessous peuvent ne pas s'appliquer à vous. **DANS LA MESURE DE CE QUI EST PERMIS PAR LE DROIT APPLICABLE, DFC SE DÉGAGE DE TOUTE RESPONSABILITÉ À L'ÉGARD DES DOMMAGES PARTICULIERS, CONSÉCUTIFS OU INDIRECTS, PEU IMPORTE QU'ILS DÉCOULENT D'UNE RUPTURE D'UNE GARANTIE IMPLICITE OU EXPLICITE, D'UNE RUPTURE DE CONTRAT, D'UN DÉLIT CIVIL OU D'UNE AUTRE CAUSE, ET CES DOMMAGES NE SONT PAS COUVERTS PAR LA GARANTIE.**

**Droits supplémentaires:** La présente garantie vous procure des droits particuliers reconnus par la loi. Vous pouvez aussi avoir d'autres droits qui varient selon l'État ou la province. La présente garantie écrite est la seule garantie offerte par DFC et elle n'est pas transférable.

